

# TAARUP

## 1015



Eenmansbediening

Kort hakselen

Hoge capaciteit

Geringe vermogensbehoefte

**TAARUP 1015**  
**Rotor-snijwagen**  
**Nieuwe voordelige**  
**voederwinningsmethode**



**Theo van der Perk Mechanisatiebedrijf bv**

Parkweg 95                      4153 XL                      Beesd (NL)

[www.Perkbv.com](http://www.Perkbv.com)

[www.Taarup.info](http://www.Taarup.info)

Specialist & Dealer van:

***taarup***



**Kverneland**

waar landbouw ondernemen is



**JOHN DEERE**



voor al uw onderdelen [www.1001parts.nl](http://www.1001parts.nl)



# LOUIS NAGEL B.V. - NIJMEGEN

POSTBUS 76, 6500 AB NIJMEGEN  
GROOTHANDEL IN LANDBOUWERKTUIGEN EN TREKKERS

## Taarup-1015

RONDSCHRIJVEN  
AAN  
TAARUP-DEALERS

RSTD 90-15

Nijmegen, 2 november 1990

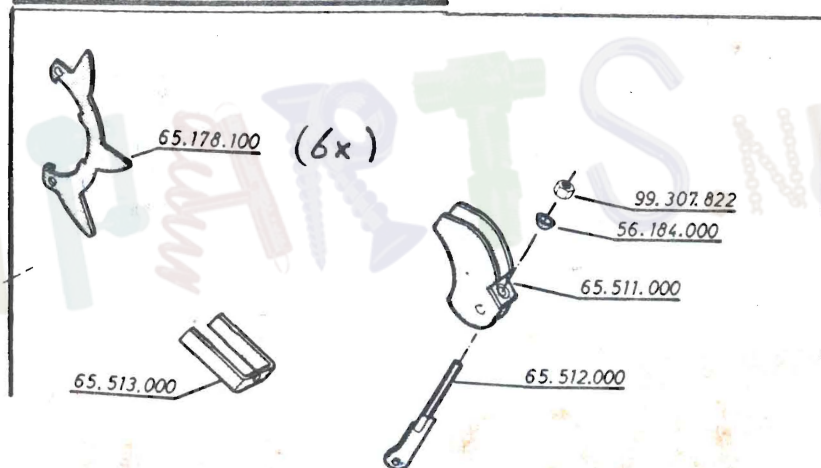
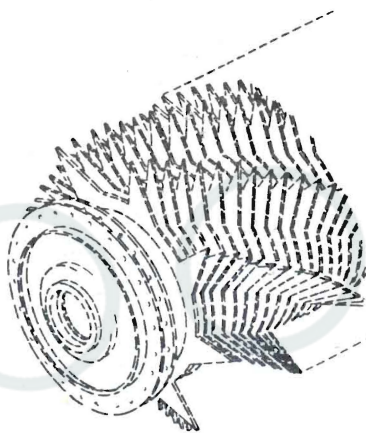
Betreft: Taarup nieuws

**INGEKOMEN - 8 NOV. 1990**

### A. Speciaal gereedschap

De rotormeenemers van een Taarup 1015 zijn op de trommel "gehaakt". Onder kpl. nr. 65.510.000 is nu een stuk speciaal gereedschap leverbaar voor de- en montage van de losse meenemerhelften. Naast een gebruiksaanwijzing omvat het genoemde bestelnr. tevens 6 meenemerhelften 65.178.100.

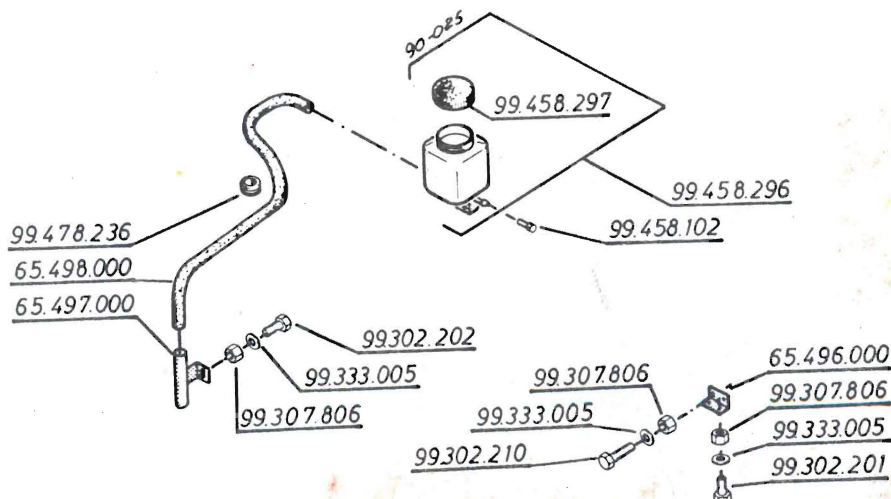
#### Compl. No. 65.510.000



### B. Druppelsmering 1015

Vanaf serienr. 320.243 zijn de Taarup's 1015 voorbereid voor montage van een oliedruppelaar op de rotor aandrijfketting (voor milieuvriendelijke kettingzaagolie).

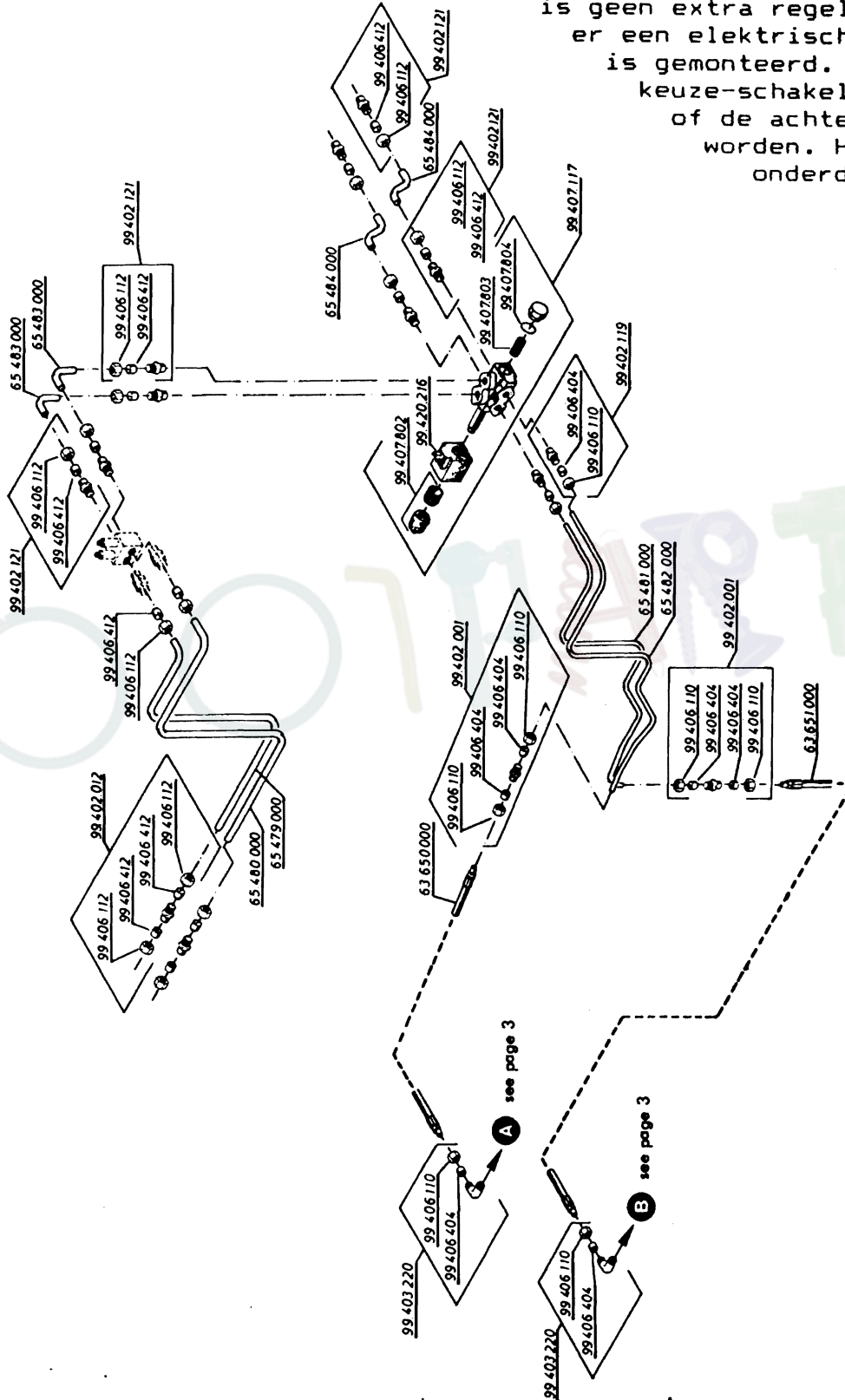
Wagens onder het genoemde serienr. kunnen met wat kleine aanpassingen ook voorzien worden van genoemde uitrusting. Het bestelnr. voor de kpl. set is 65.500.000 (via onderdelen).



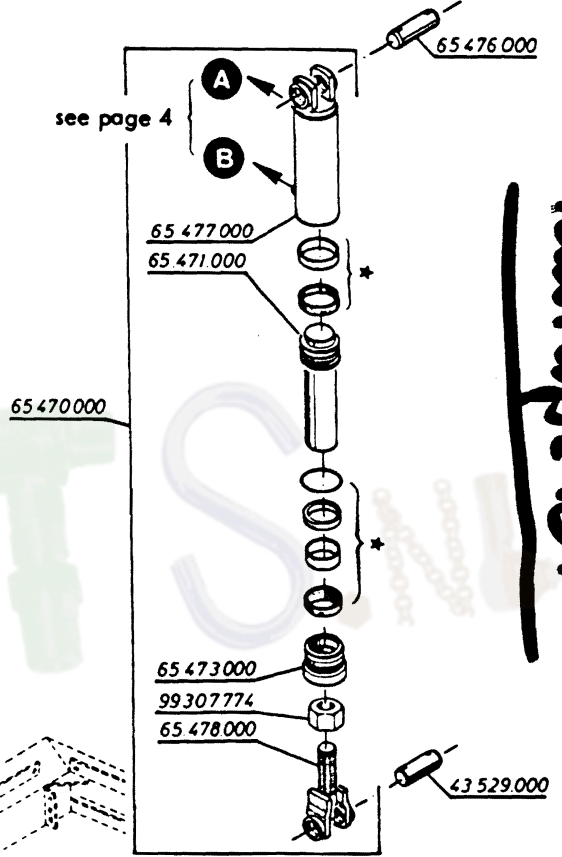
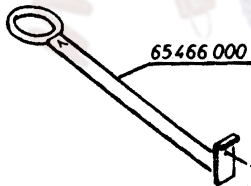
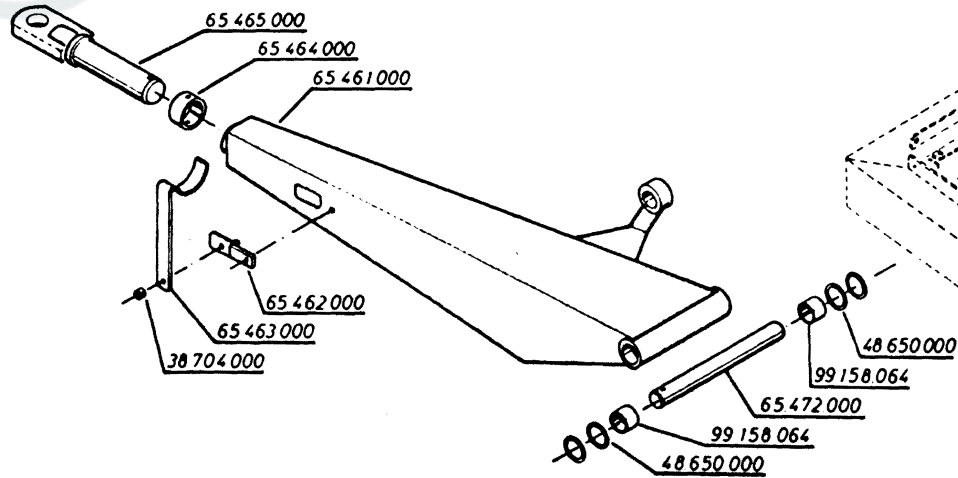
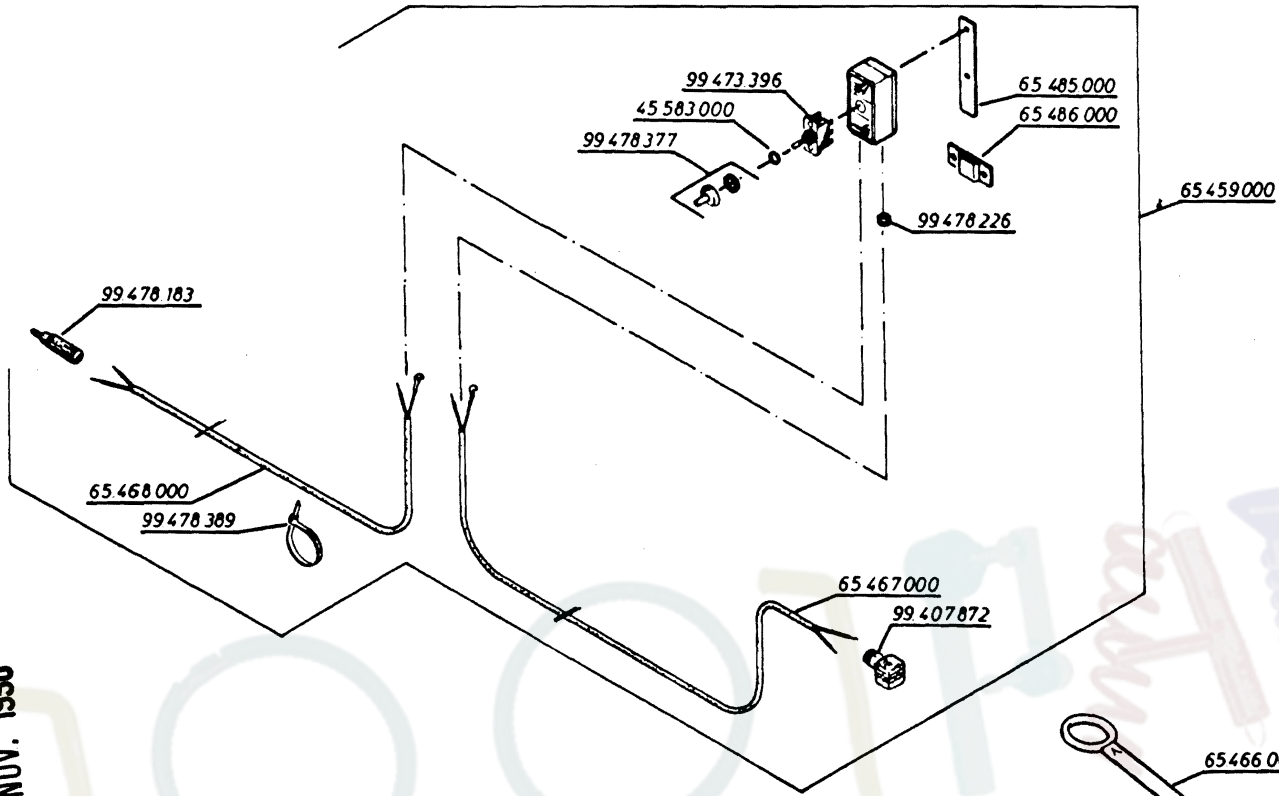
# Taarup-1015

## D. Ondertrekhaak 1015

Vanaf serienr. 308.596 kunnen 1015's uitgevoerd worden met een hydraulisch bediende ondertrekhaak. Er is geen extra regelventiel nodig omdat er een elektrisch omschakelventiel is gemonteerd. Met een keuze-schakelaar kan de trekhaak of de achterklep bediend worden. Hierbij de onderdeelinformatie.



INGEKOMEN - 8 NOV. 1990



\* AFDLEHT- : 65 488.000  
SET

*Tarwup-1015.*

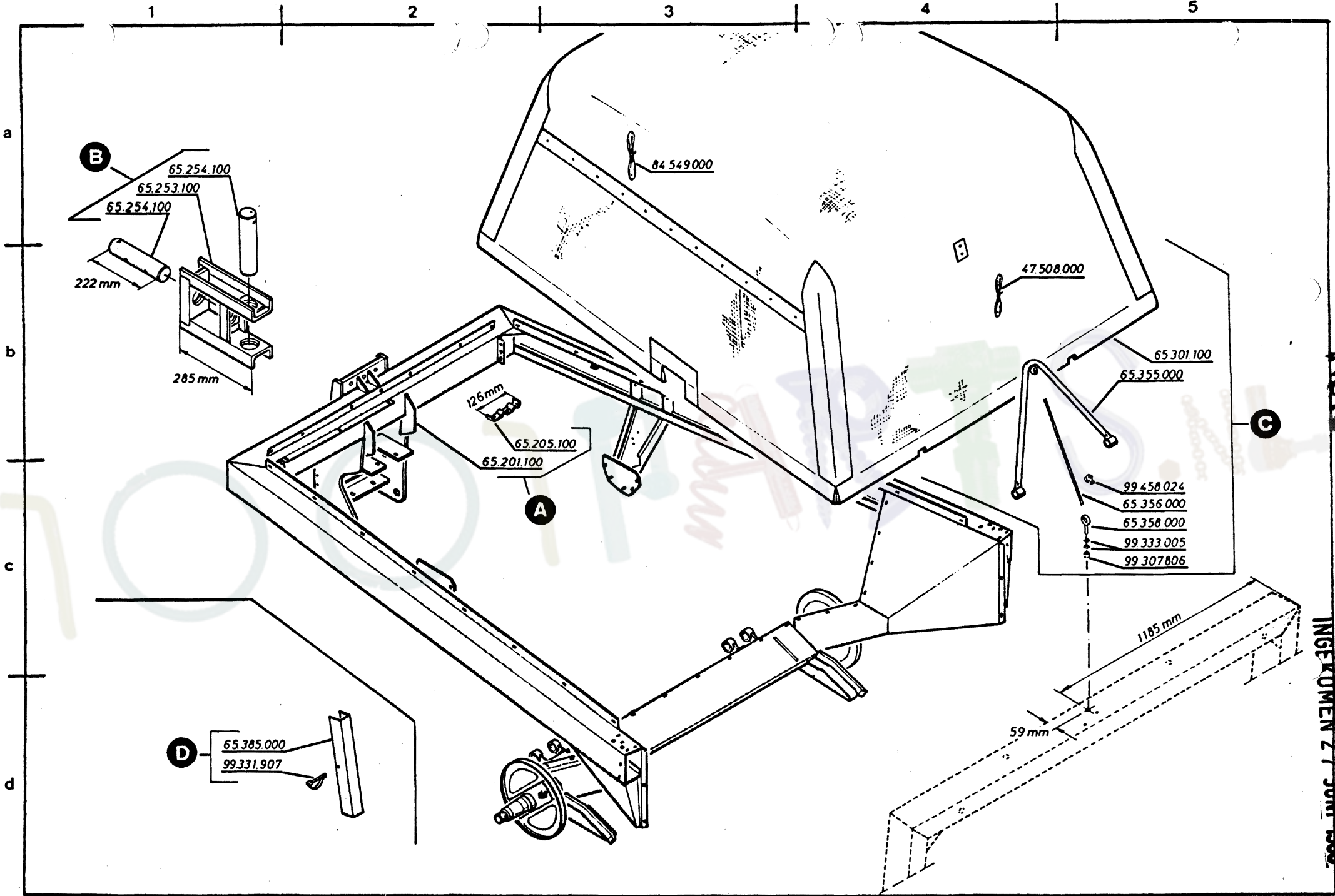
2. Veranderingen 1015 model '89

De navolgende pagina's geven een onderdeeloverzicht van de veranderingen.

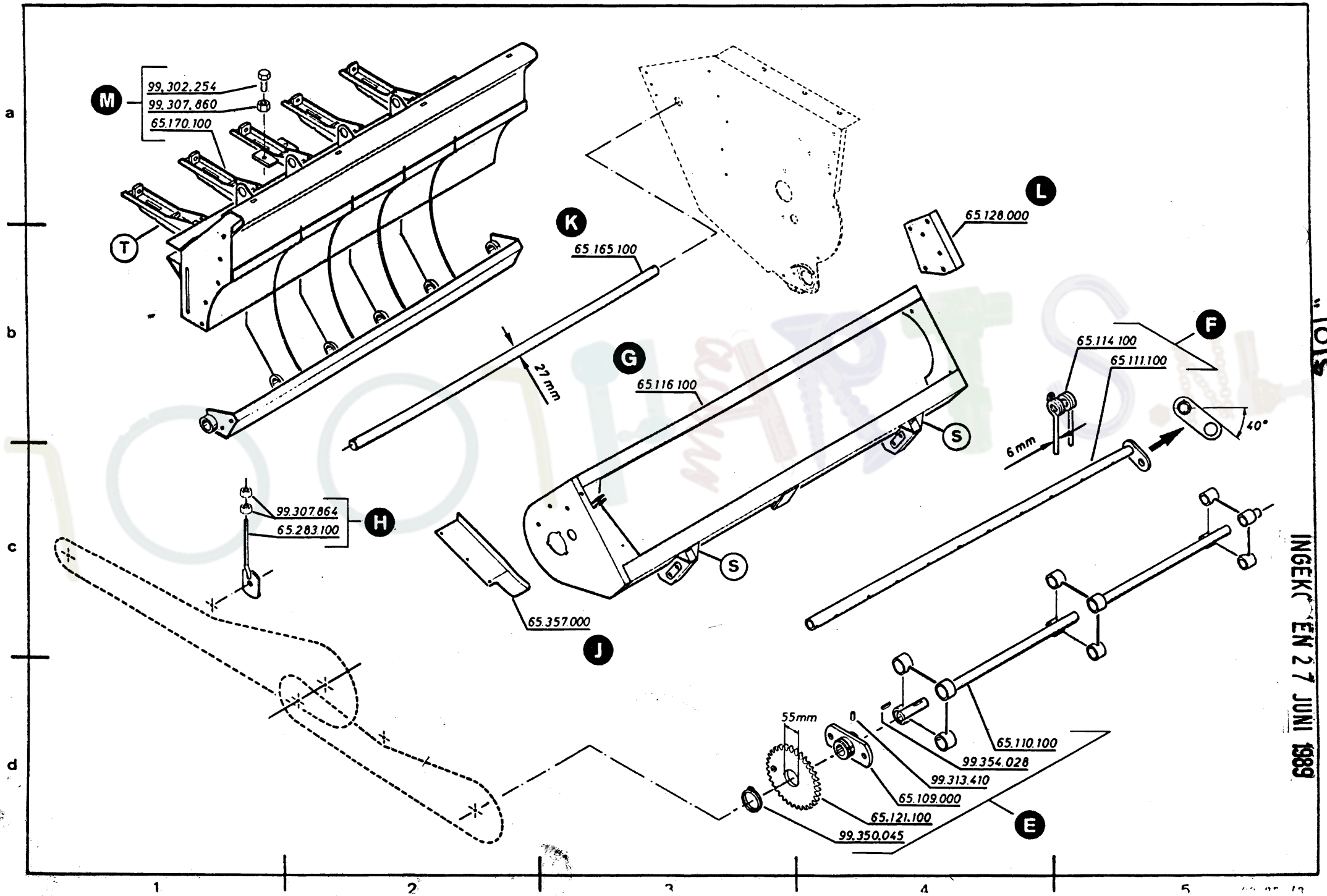
Het merendeel van de wijzigingen was onderwerp van het ombouwprogramma.

Del nr. Part No.	Antal Number	Benævnelse	Designation	Bemærkninger Remarks	Index	
					Pos.	Slide/page
47.508.000		Nylonsnor	Nylon thread	∅6 - l = 1000 mm		
65.109.000		Flange	Flange			
65.110.100		Hovedaksel	Main shaft			
65.111.100		Pick-up rør	Pick-up tube			
65.114.100		Pick-up fjeder	Pick-up spring			
65.116.100		Pick-up ramme	Pick-up frame	Z = 40		
65.121.100		Kædehjul	Chain wheel			
65.128.000		Ophængsplade, højre	Suspension plate, right			
65.165.100		Rør	Tube			
65.170.100		Svøb for snitter	Shell for chopper			
65.178.100		Medbringer-halvpart	Carrier half part			
65.184.100		Tromle komplet	Drum complete			
65.201.100		Hovedramme	Main frame			
65.205.100		Beslag	Bracket			
65.253.100		Drejekonsol	Bracket			
65.254.100		Akseltap	Axle journal			
65.283.100		Strammeanordning	Tension device			
65.301.100		Presenning	Tarpaulin			
65.305.100		Knivset	Set of knives	22 stk./pcs.		
65.346.100		Aksel	Shaft			
65.349.100		Beslag	Bracket			
65.355.000		Bøjle	Clamp			
65.356.000		Stålwire	Steel wire			
65.357.000		Afskærmning	Guard			
65.358.000		Øjebolt	Eye bolt			
65.385.000		Profil	Profile			
84.549.000		Nylonsnor	Nylon thread	∅6 - l = 4500 mm EK 64/2R-1500 Nm		
99.234.885		Kobling komplet	Coupling complete			
99.235.472		Støttering	Supporting ring			
99.235.540		Flange gaffel	Flange yoke			
99.237.270		Koblingshus	Clutch housing			
99.237.340		Låsekobling	Lock coupling	1 3/8" (6)		
99.237.369		Tætningsring	Tightening ring	152,5 x 99 x 8		
99.302.254		Stålbolt	Steel bolt	M 10 - 25		
99.302.256		Stålbolt	Steel bolt	M 10 - 30		
99.307.806		Låsemøtrik	Lock nut	M 8		
99.307.860		Stålmøtrik	Steel nut	M 10		
99.307.864		Stålmøtrik	Steel nut	M 12		
99.313.410		Pinolskrue	Pointed screw	AM 8 - 10		
99.331.907		Rørsplit	Split	∅10 - 75		
99.333.005		Spændeskive, let	Washer, light	5/16"		
99.335.110		Låseskive	Lock washer	A 10		
99.350.045		Seegerring	Circlip	U 55		
99.350.194		Seegerring	Circlip	150 x 4		
99.354.028		Pasfeder	Key	10 - 8 - 40		
99.458.024		Bøjlewirelås	Wire lock for clamp	3/16"		

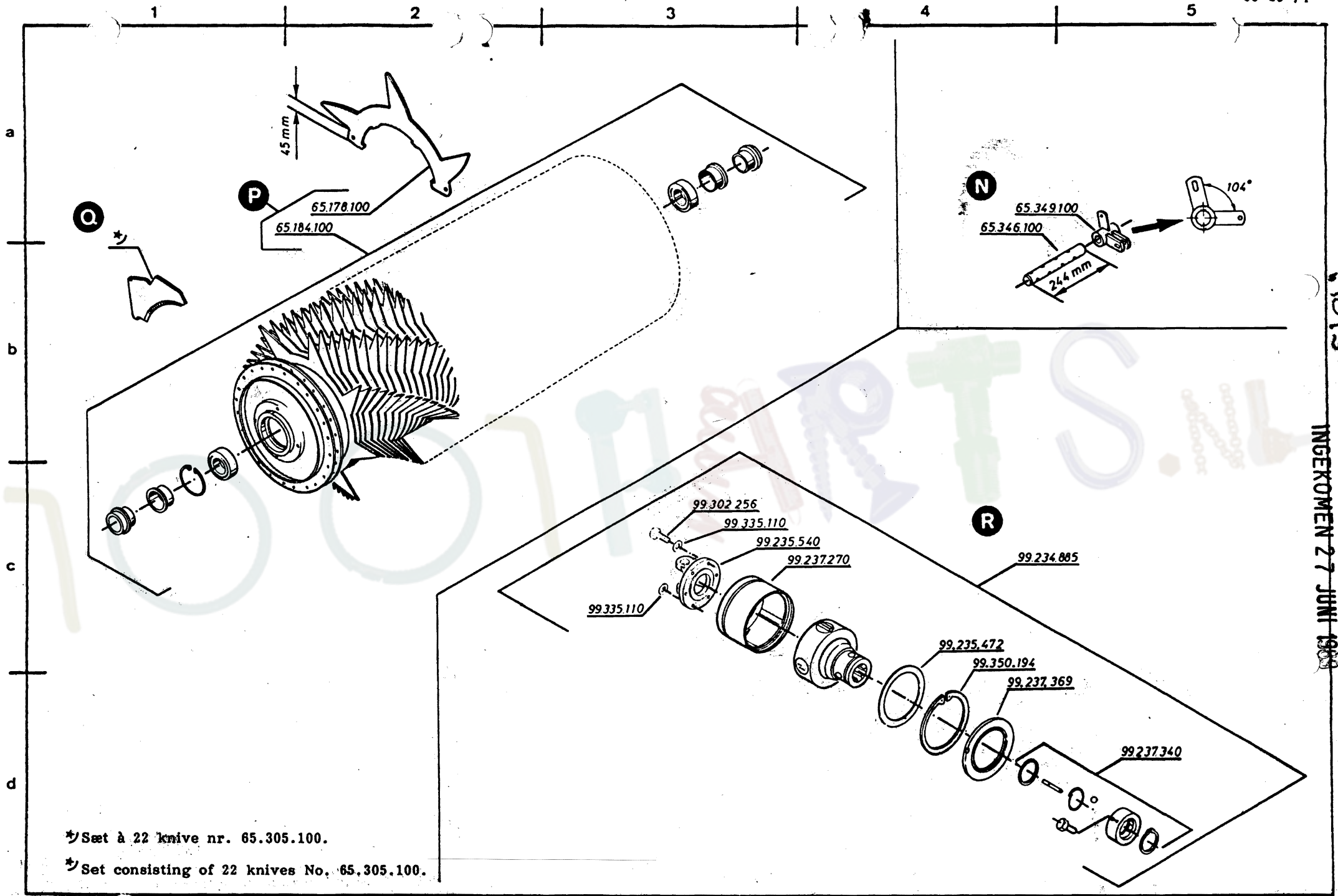
89-25



1015 " INGEKOMEN 27 JUNI 1989





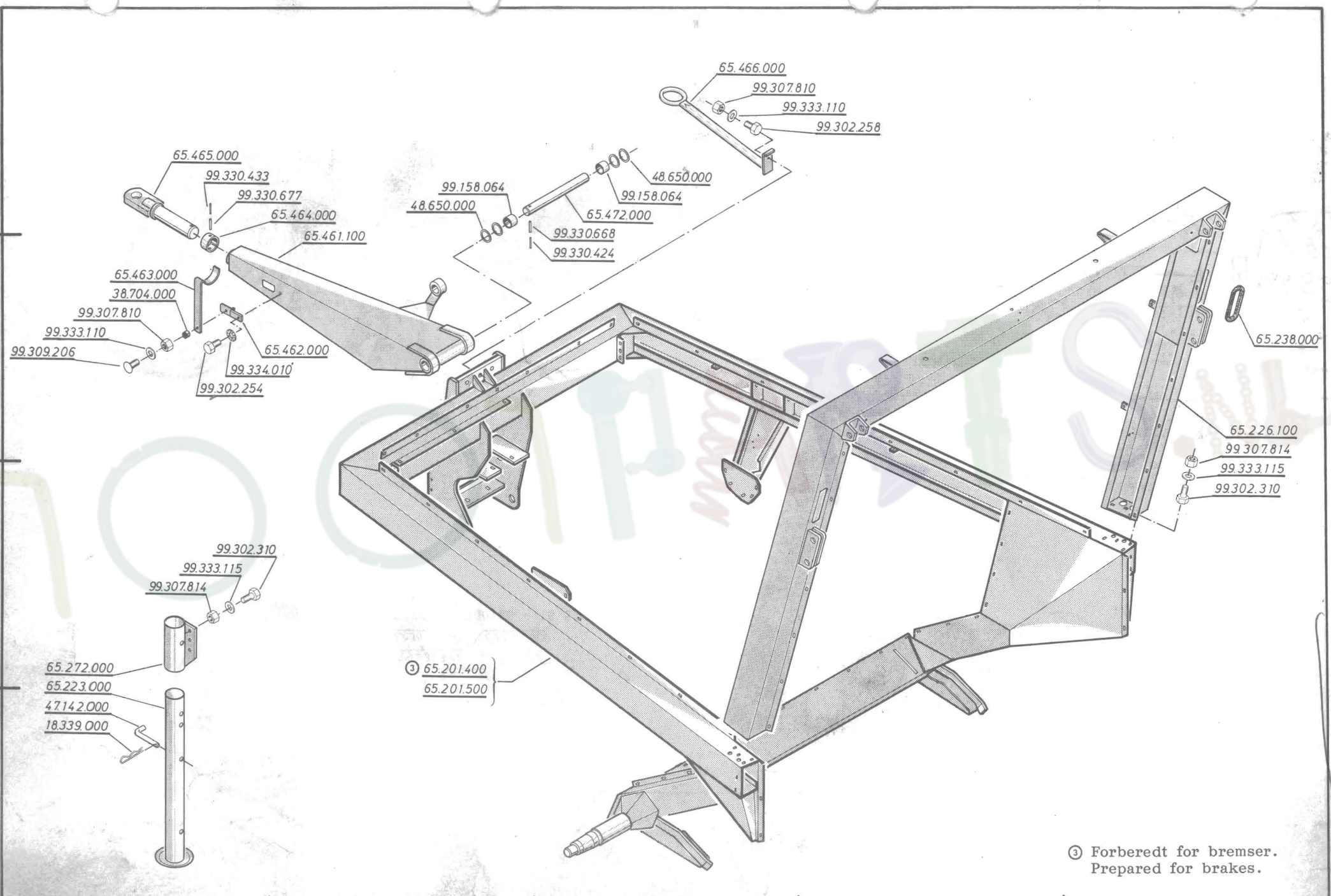


Set à 22 knive nr. 65.305.100.

Set consisting of 22 knives No. 65.305.100.

"1015"  
INGEKOMEN 27 JUNI 1988

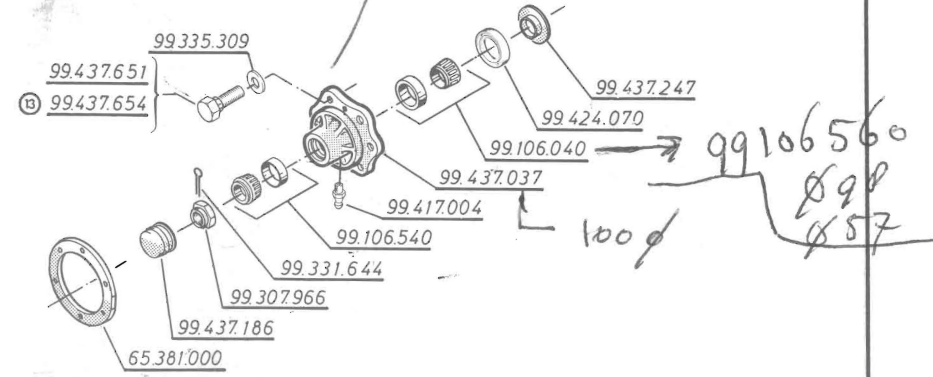
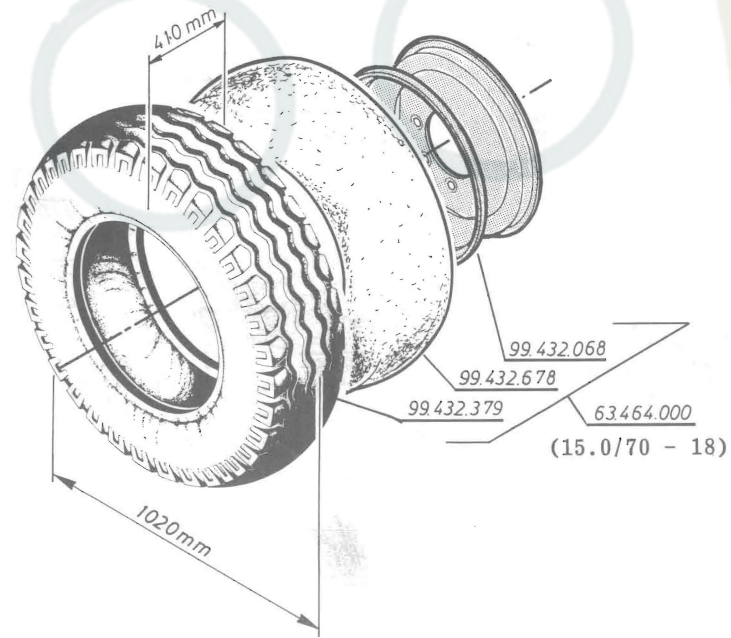
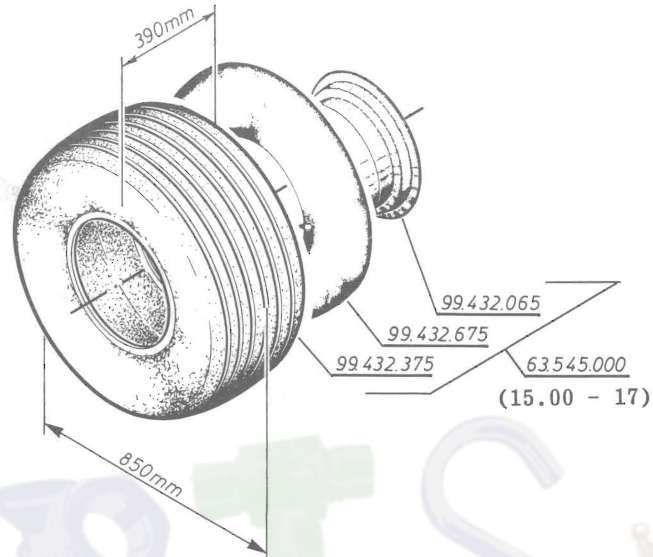
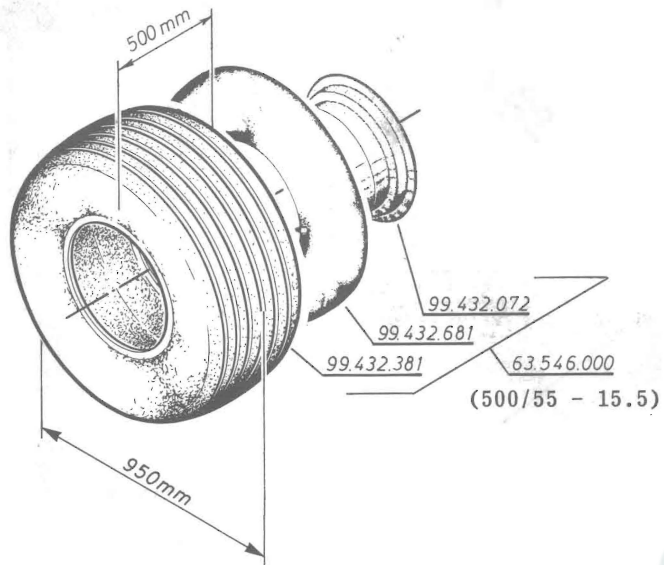
a  
b  
c  
d  
VI



TARUP 1015

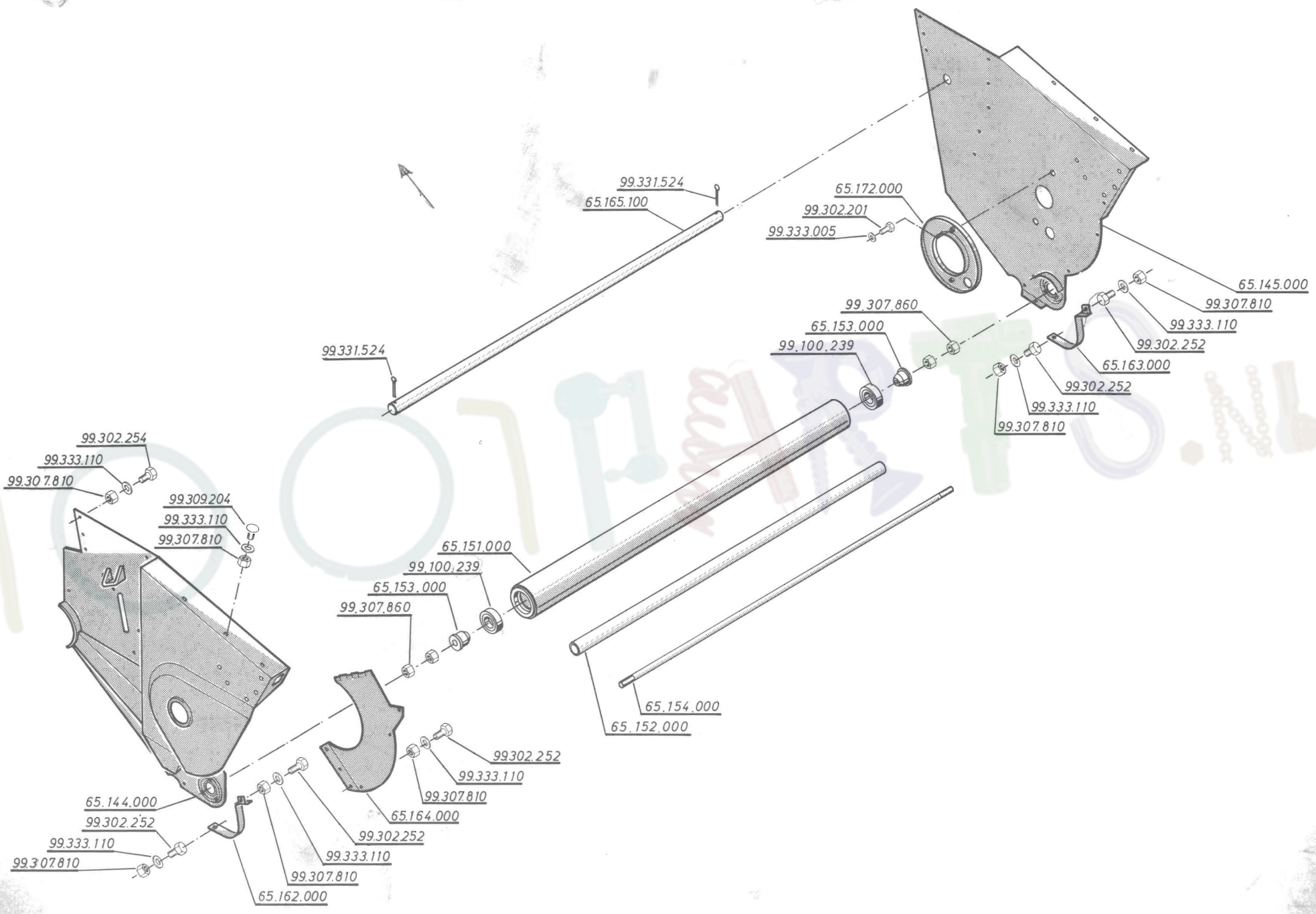
③ Forberedt for bremsler.  
Prepared for brakes.

1 2 3 4 5



ⓑ Anvendes til maskiner med bremses.  
To be used to machines with brakes.

a  
b  
c  
d  
3A



1

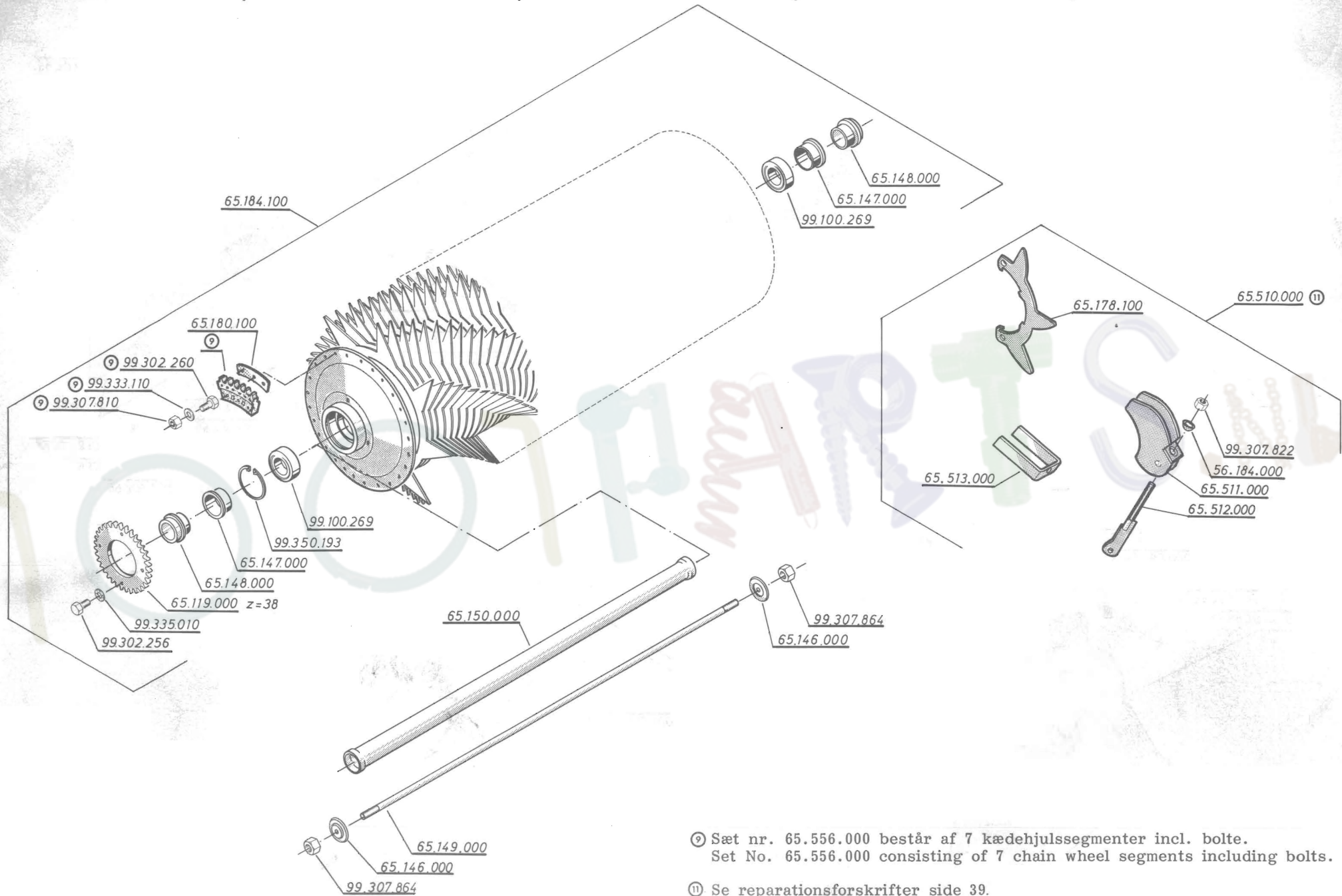
2

3

4

5

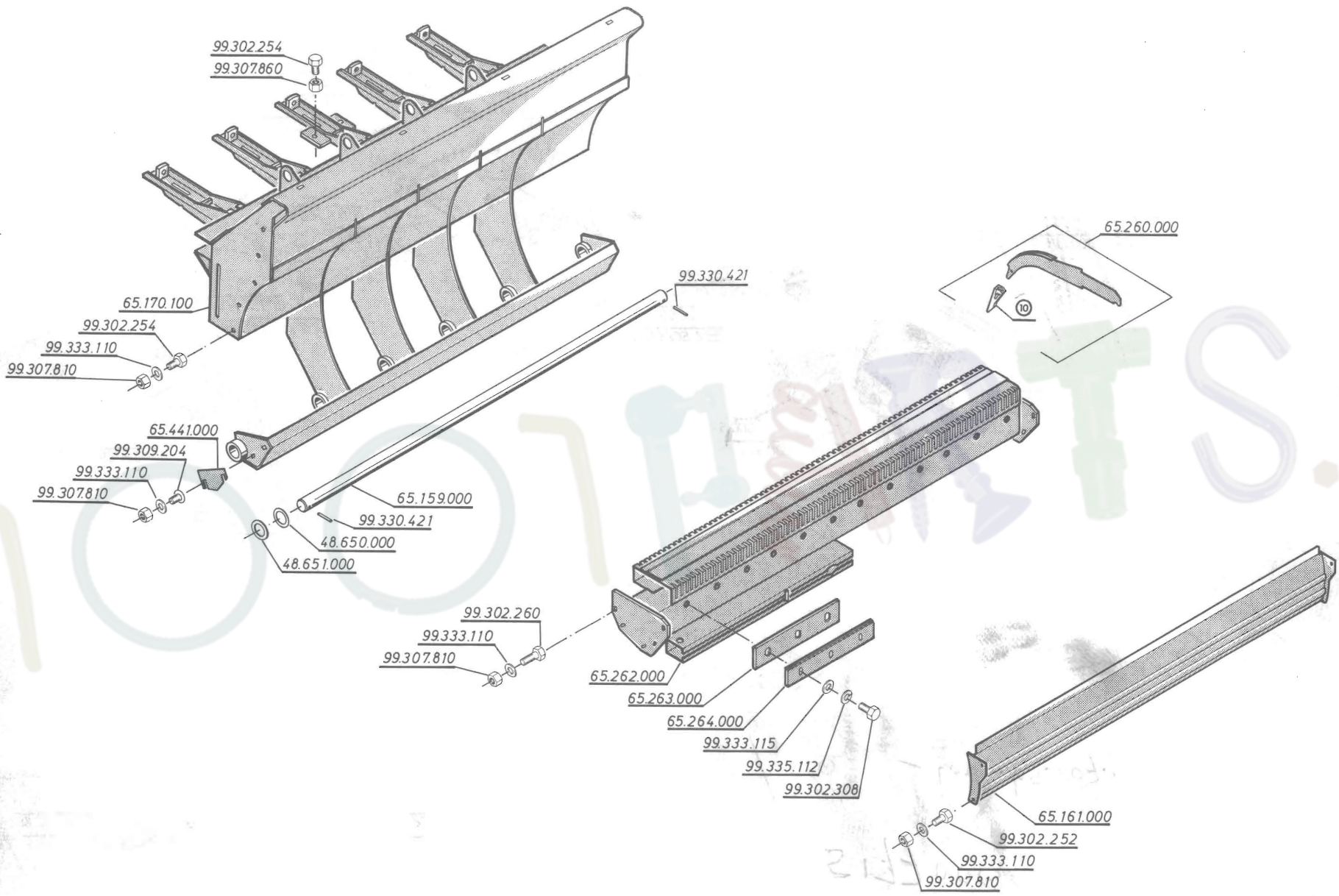
4A  
a  
b  
c  
d



⑨ Sæt nr. 65.556.000 består af 7 kædehjulsegmenter incl. bolte.  
 Set No. 65.556.000 consisting of 7 chain wheel segments including bolts.

⑩ Se reparationsforskrifter side 39.  
 See repair instructions page 39.

a  
b  
c  
d

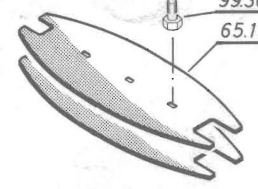
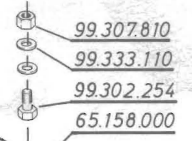
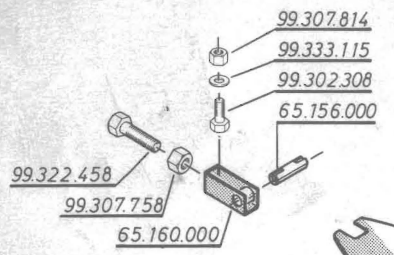


⑩ Sæt nr. 65.553.000 består af 10 stk. afstrygerspidser.  
Set No. 65.553.000 consisting of 10 pcs. deflector points.

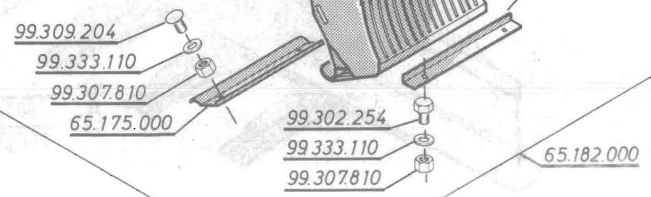
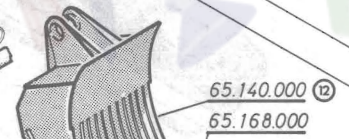
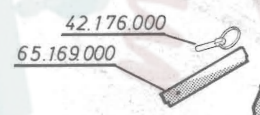
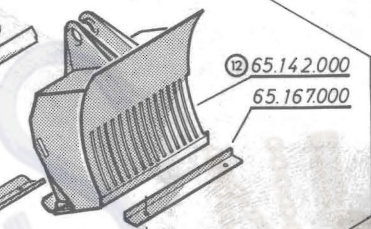
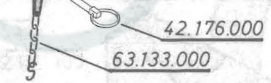
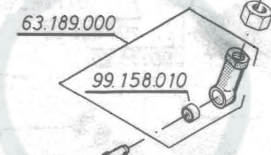
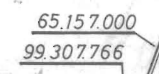
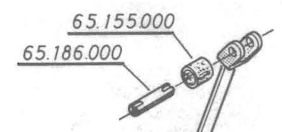
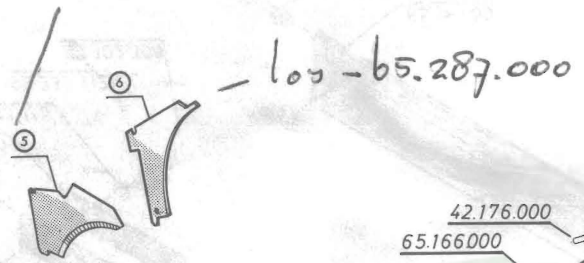
5A

1 2 3 4 5

⑫ Se reparationsforskrifter side 37.  
See repair instructions page 37.



65177.000



- ⑤ Sæt nr. 65.305.100 består af 22 knive.  
Set No. 65.305.100 consisting of 22 knives.
- Sæt nr. 65.307.000 består af 10 knive.  
Set No. 65.307.000 consisting of 10 knives.
- ⑥ Sæt nr. 65.299.000 består af 49 blændknive.  
Set No. 65.299.000 consisting of 49 dummy knives.

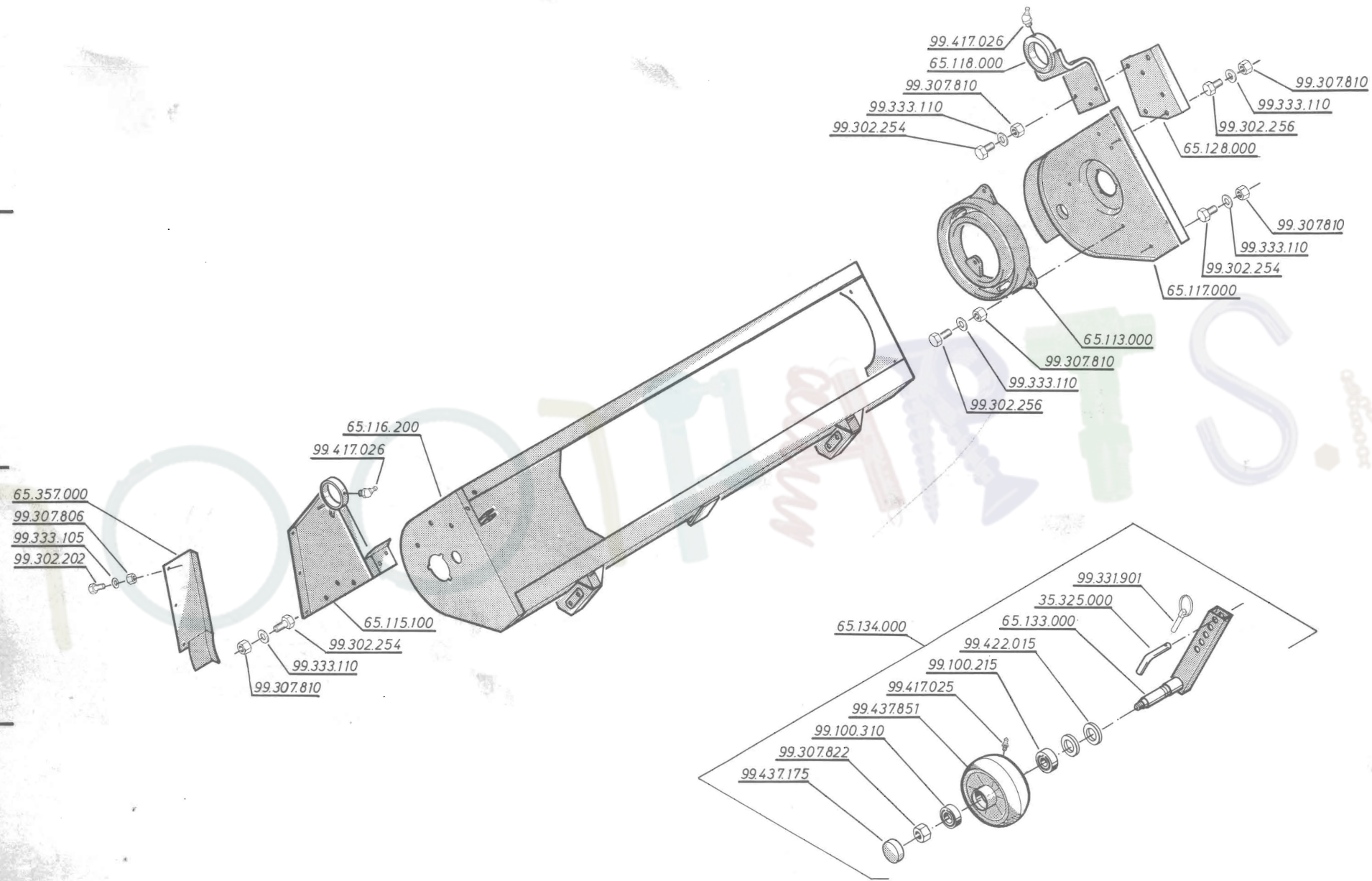
a

b

c

d

7A



1

2

3

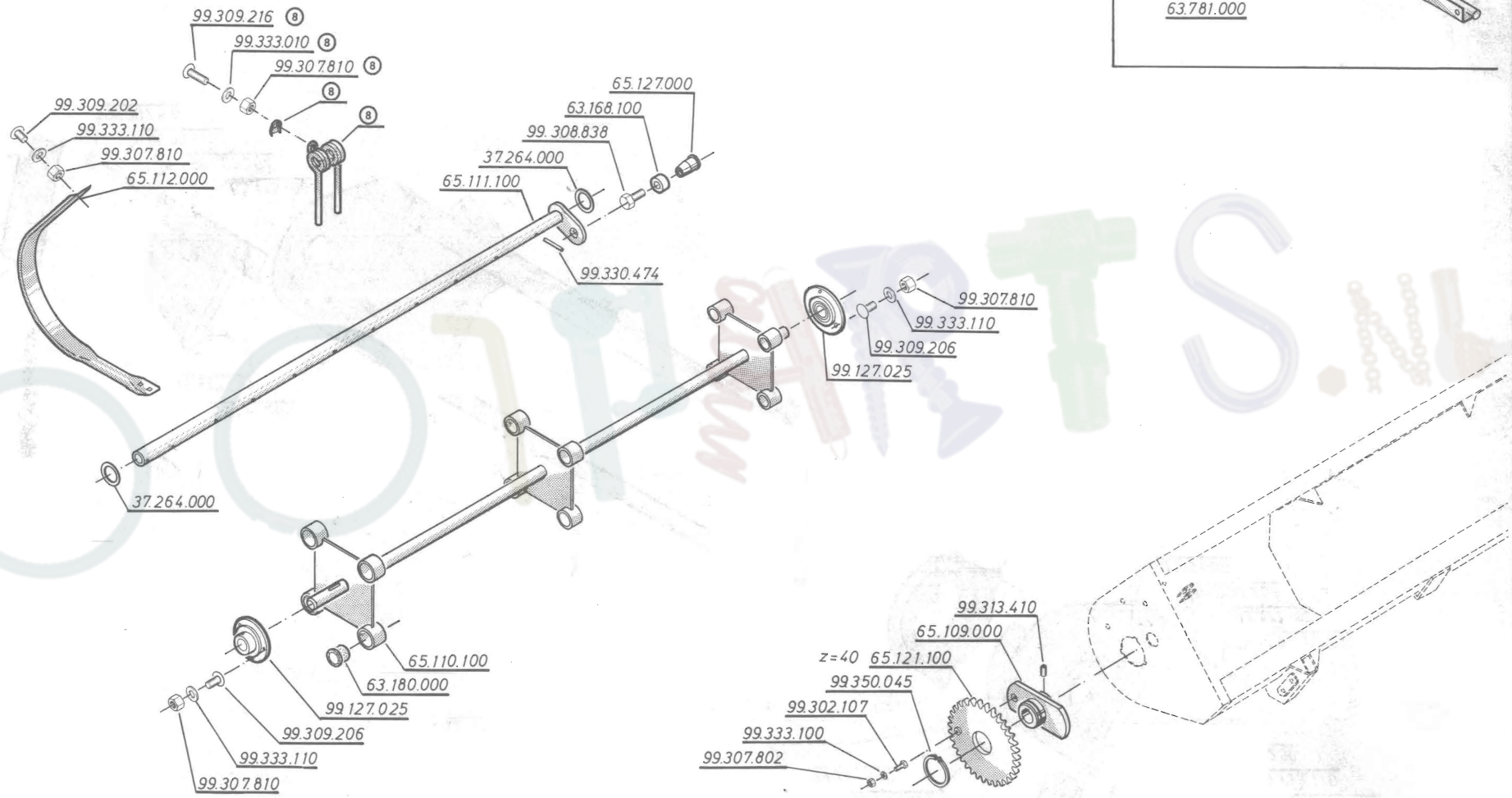
4

5



V 8  
a  
b  
c  
d

1 2 3 4 5



⑧ Sæt nr. 65.557.000 består af 10 pick-up fjedre og fjederbeslag incl. bolte.  
Set No. 65.557.000 consisting of 10 pick-up springs and spring brackets including bolts.

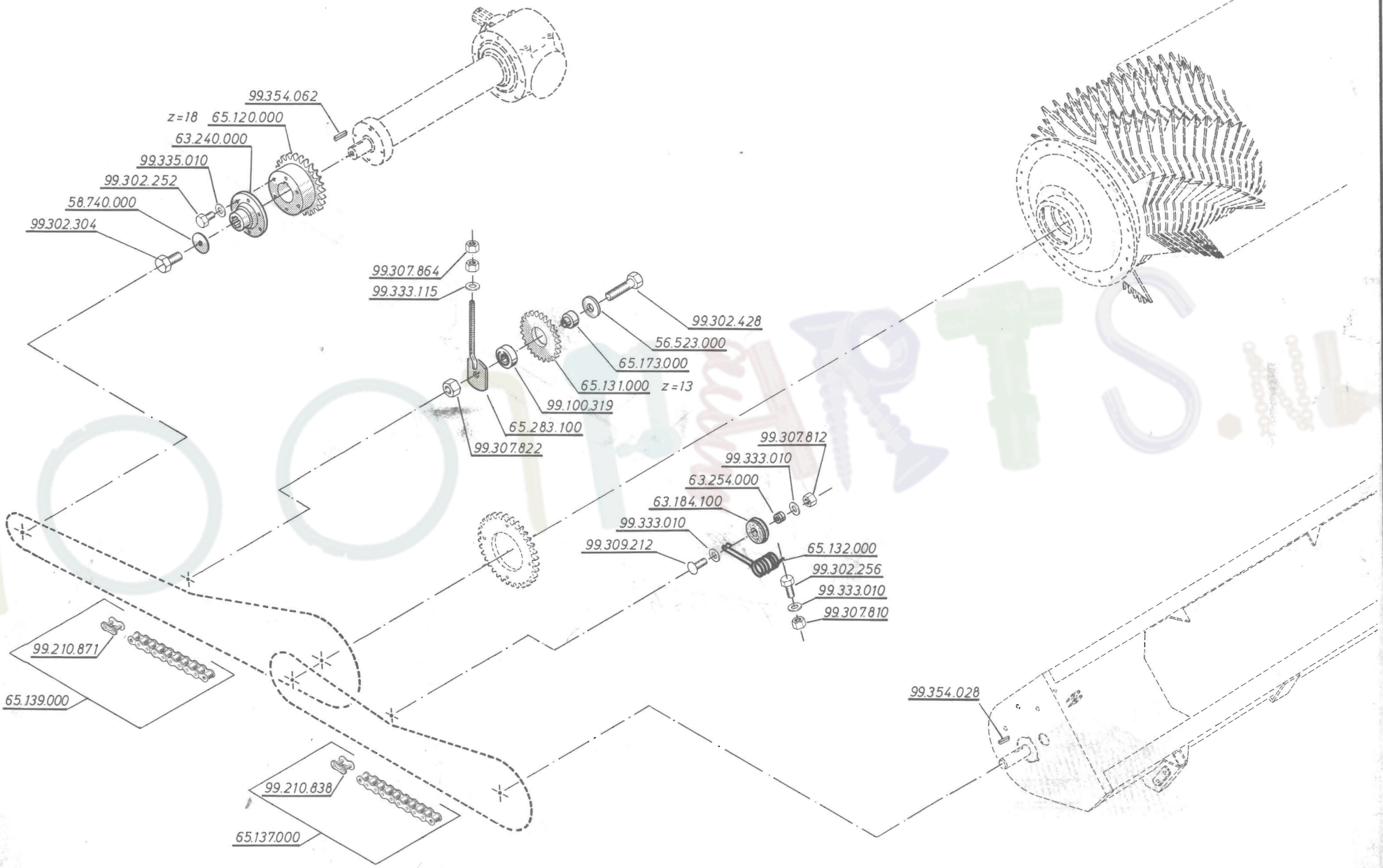
a

b

c

d

9 A



1

2

3

4

5

1

2

3

4

5

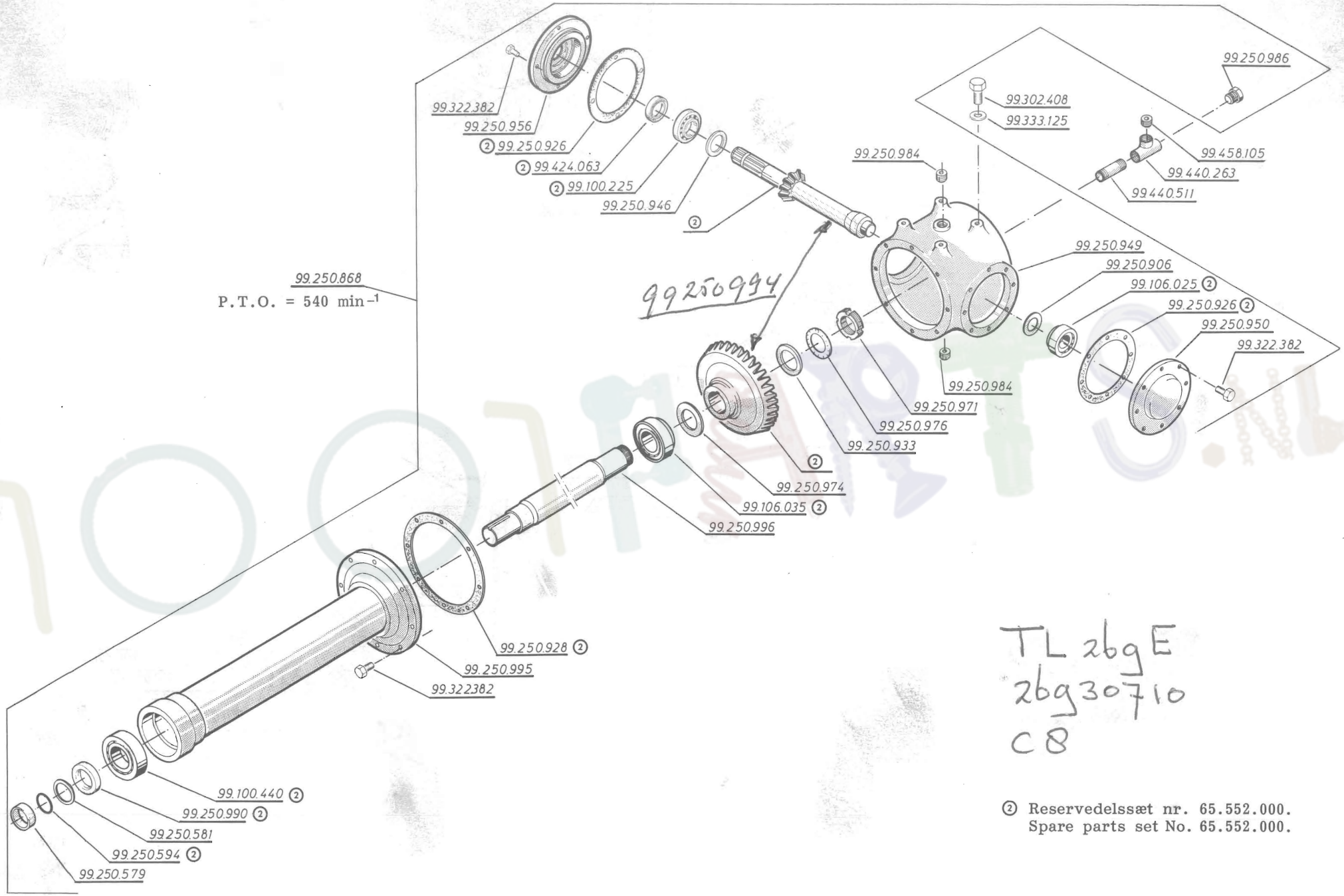
101

a

b

c

d

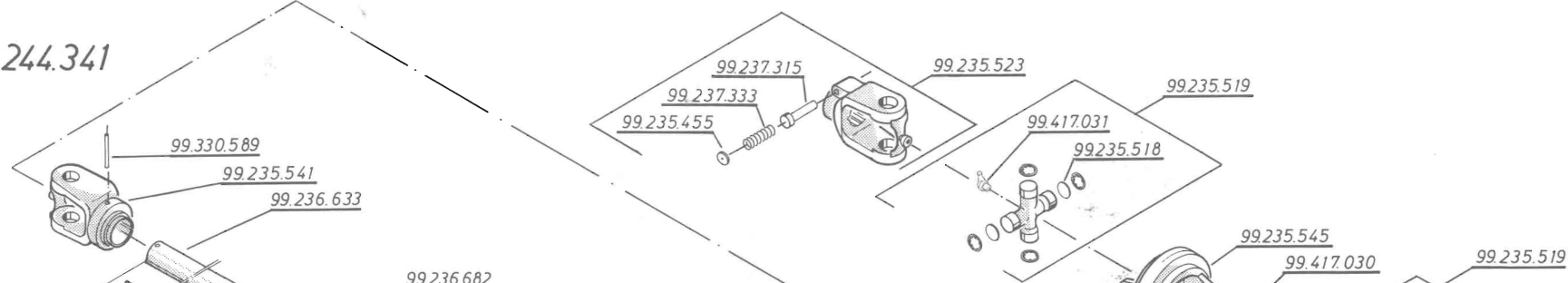


TL 26gE  
26g30710  
C8

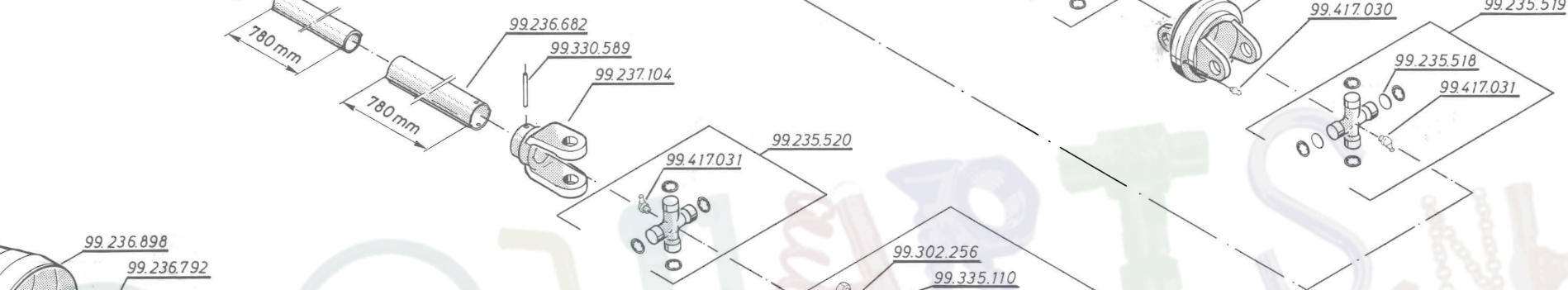
② Reservedelssæt nr. 65.552.000.  
Spare parts set No. 65.552.000.

Compl. No. 99.244.341

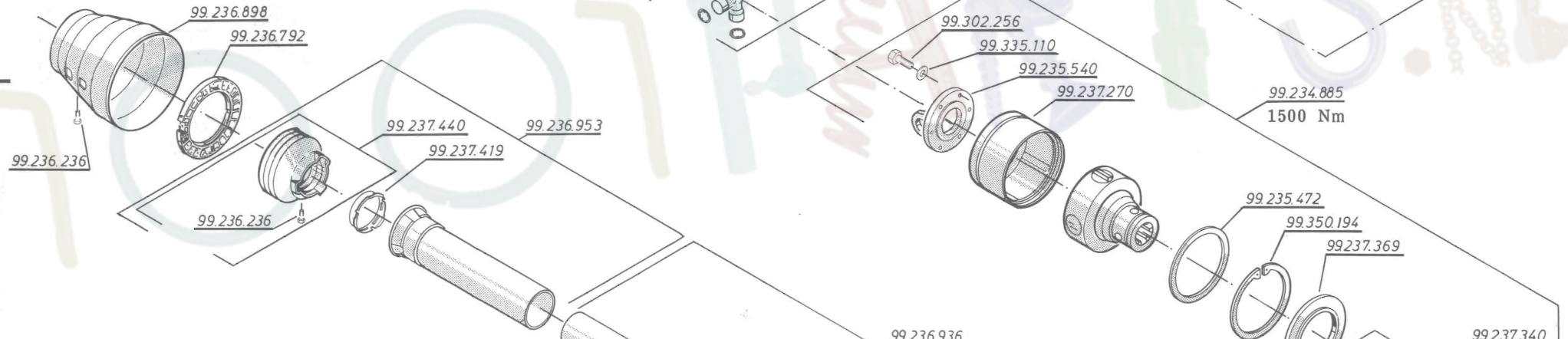
a



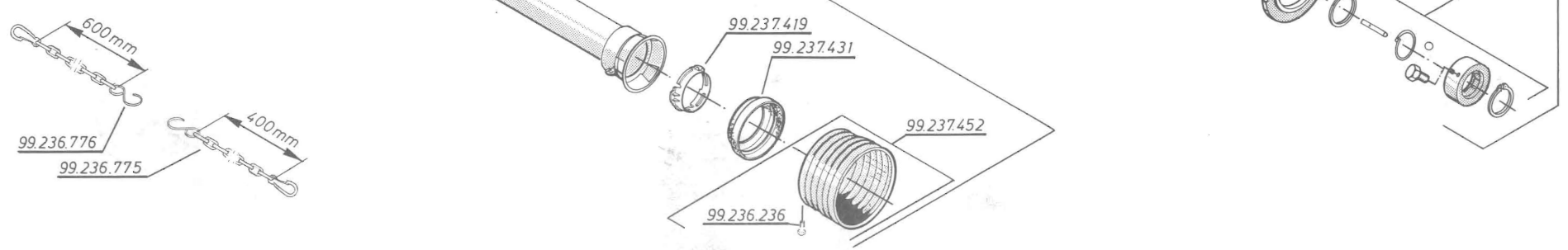
b



c



d



1

2

3

4

5

111

90 043

1

2

3

4

5

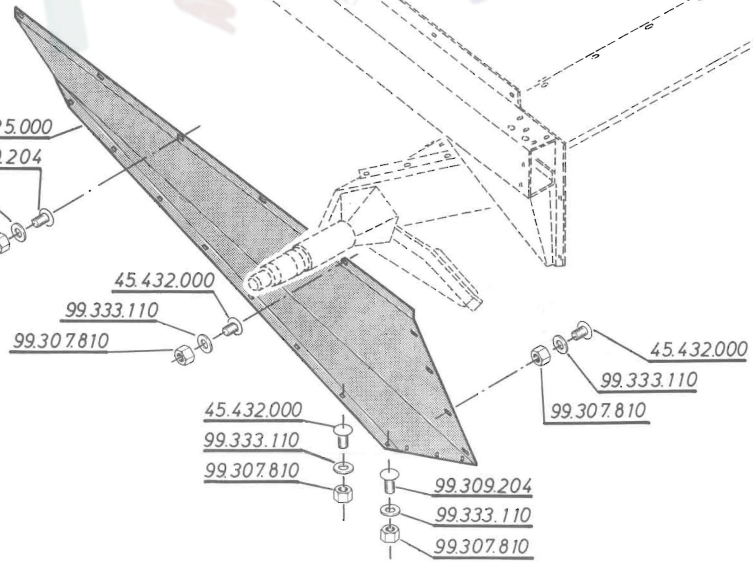
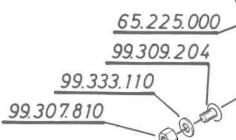
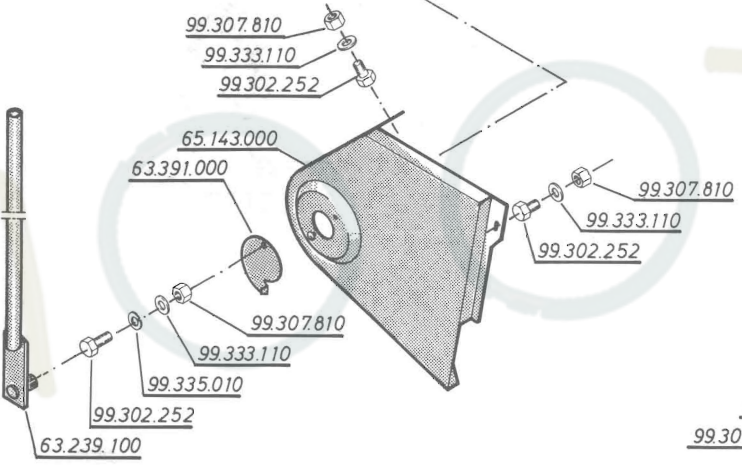
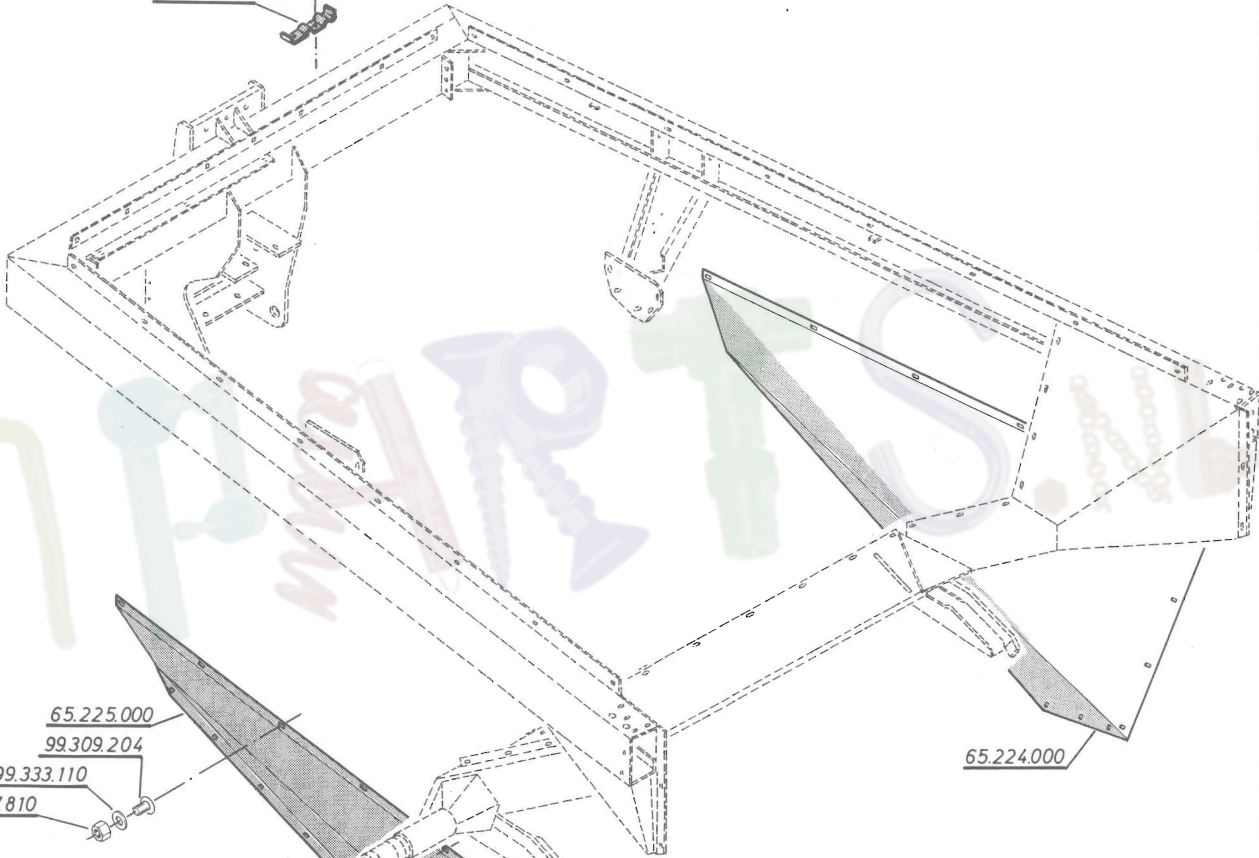
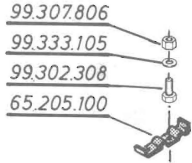
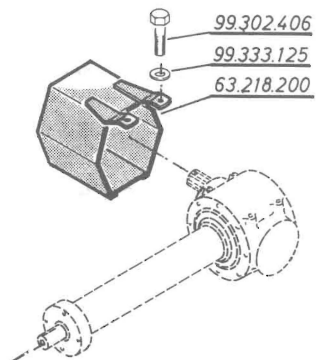
12A

a

b

c

d



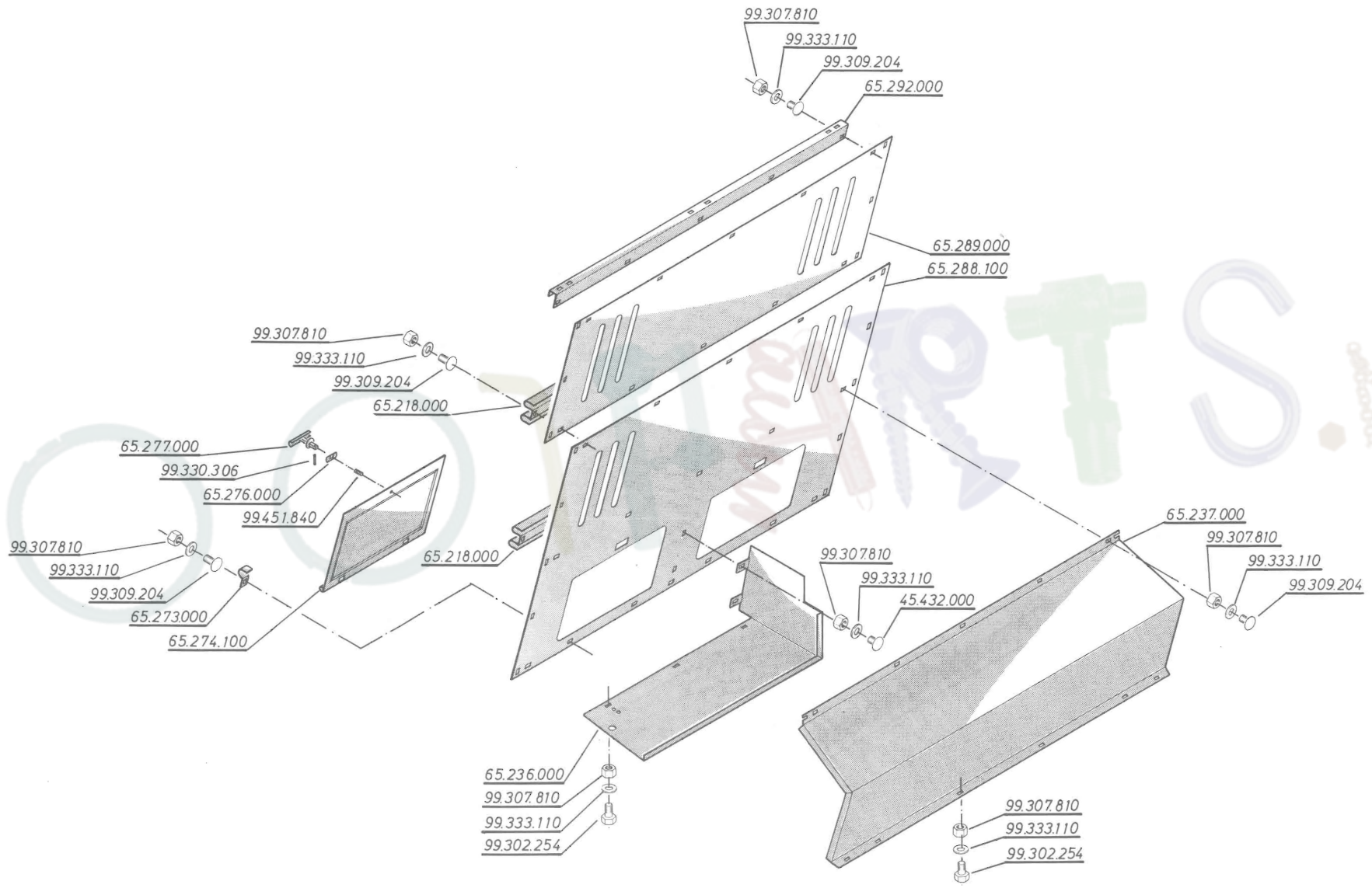
65.224.000

a

b

c

d



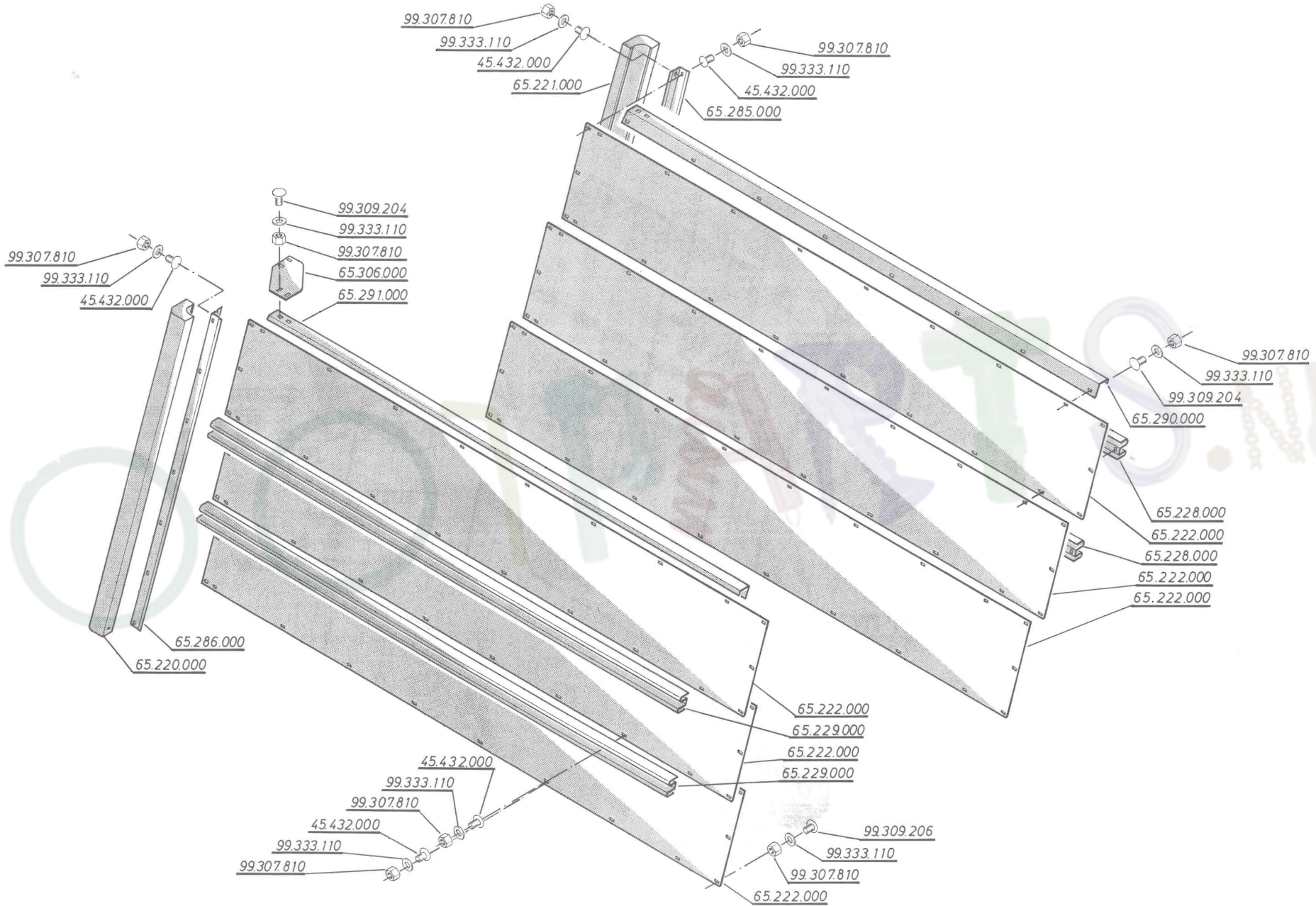
1

2

3

4

5



a

b

c

d

15A

99.331.624  
37.288.000

99.309.204  
99.333.110  
99.307.810  
65.211.000  
65.210.000  
99.309.204  
99.333.110  
99.307.810

65.212.000

99.302.252  
99.333.110  
99.307.810

45.432.000  
99.333.110  
99.307.810

65.217.000 ④  
65.217.100

99.302.252  
99.333.110  
65.213.000

99.309.204  
99.333.110  
99.307.810

99.333.045

65.214.000  
65.215.000  
65.216.100  
65.227.000  
99.331.312

1

2

3

4

5

④ Forberedt for bremses.  
Prepared for brakes.



1

2

3

4

5

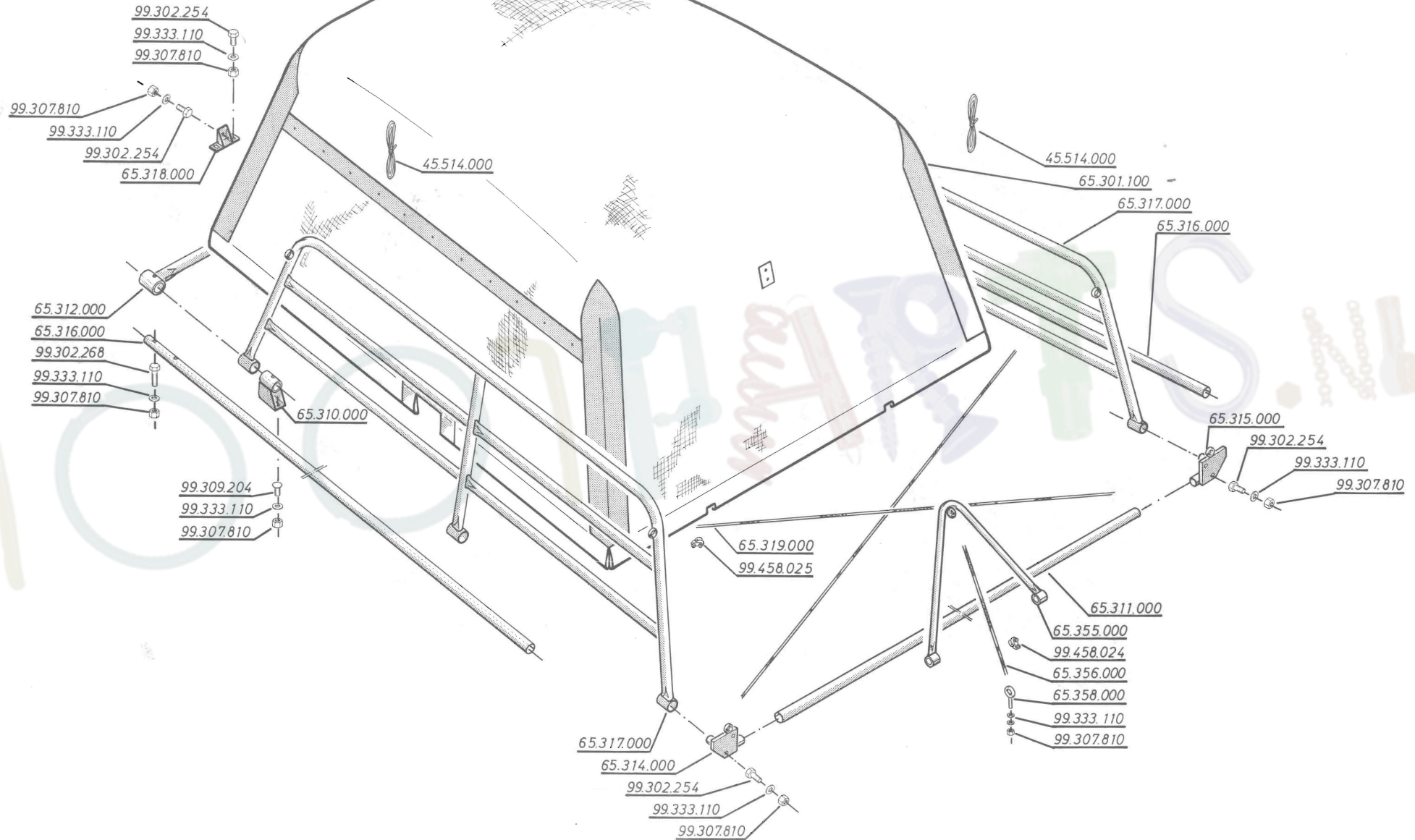
191

a

b

c

d



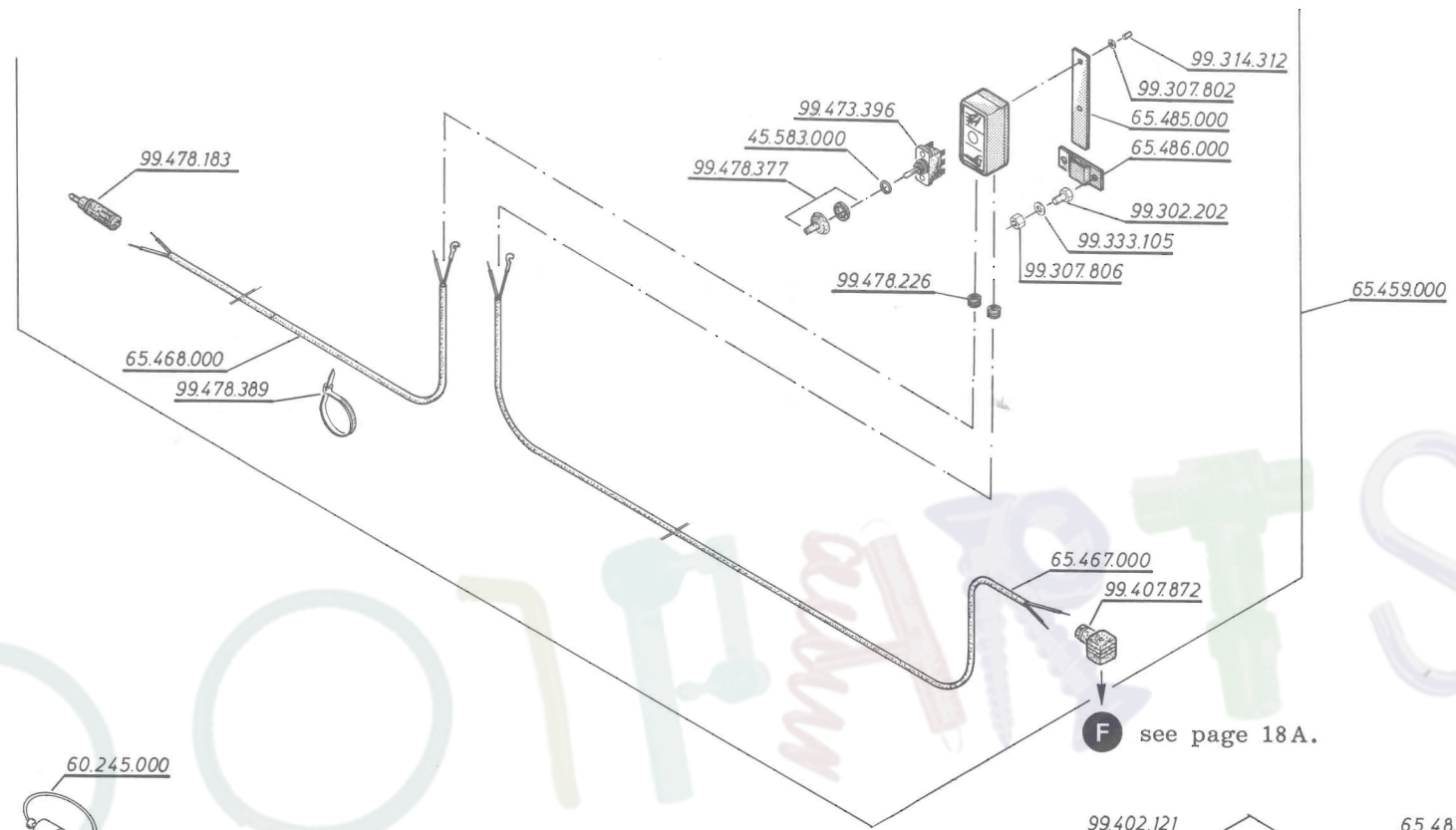
a

b

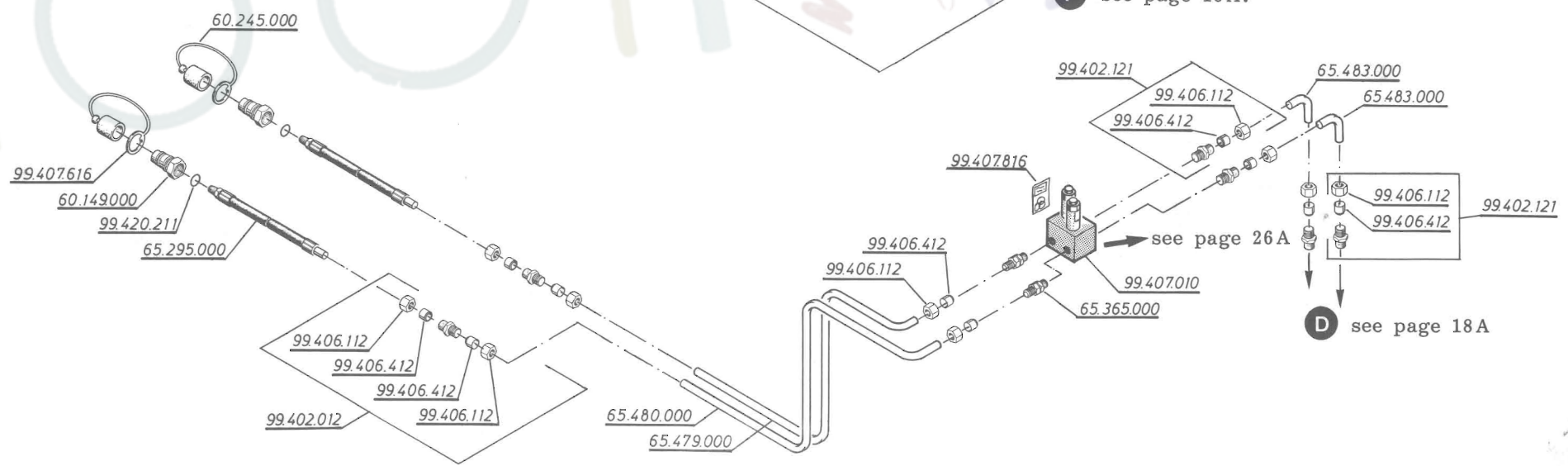
c

d

17A



F see page 18A.



see page 26 A

D see page 18A

1

2

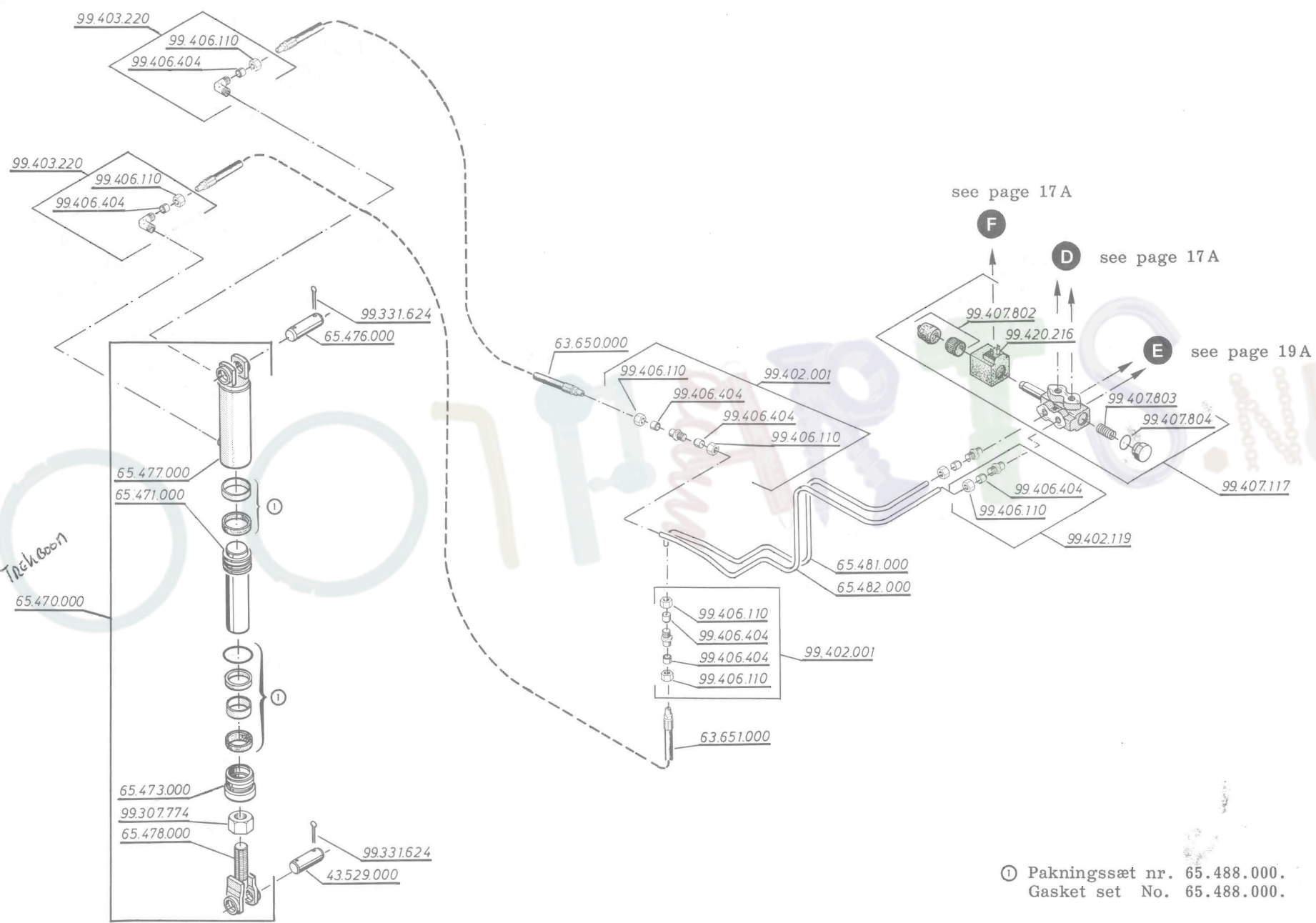
3

4

5

18 A  
a  
b  
c  
d

1 2 3 4 5



see page 17 A

F

see page 17 A

D

see page 19 A

E

Trekboon

① Pakningsset nr. 65.488.000.  
Gasket set No. 65.488.000.

a

b

c

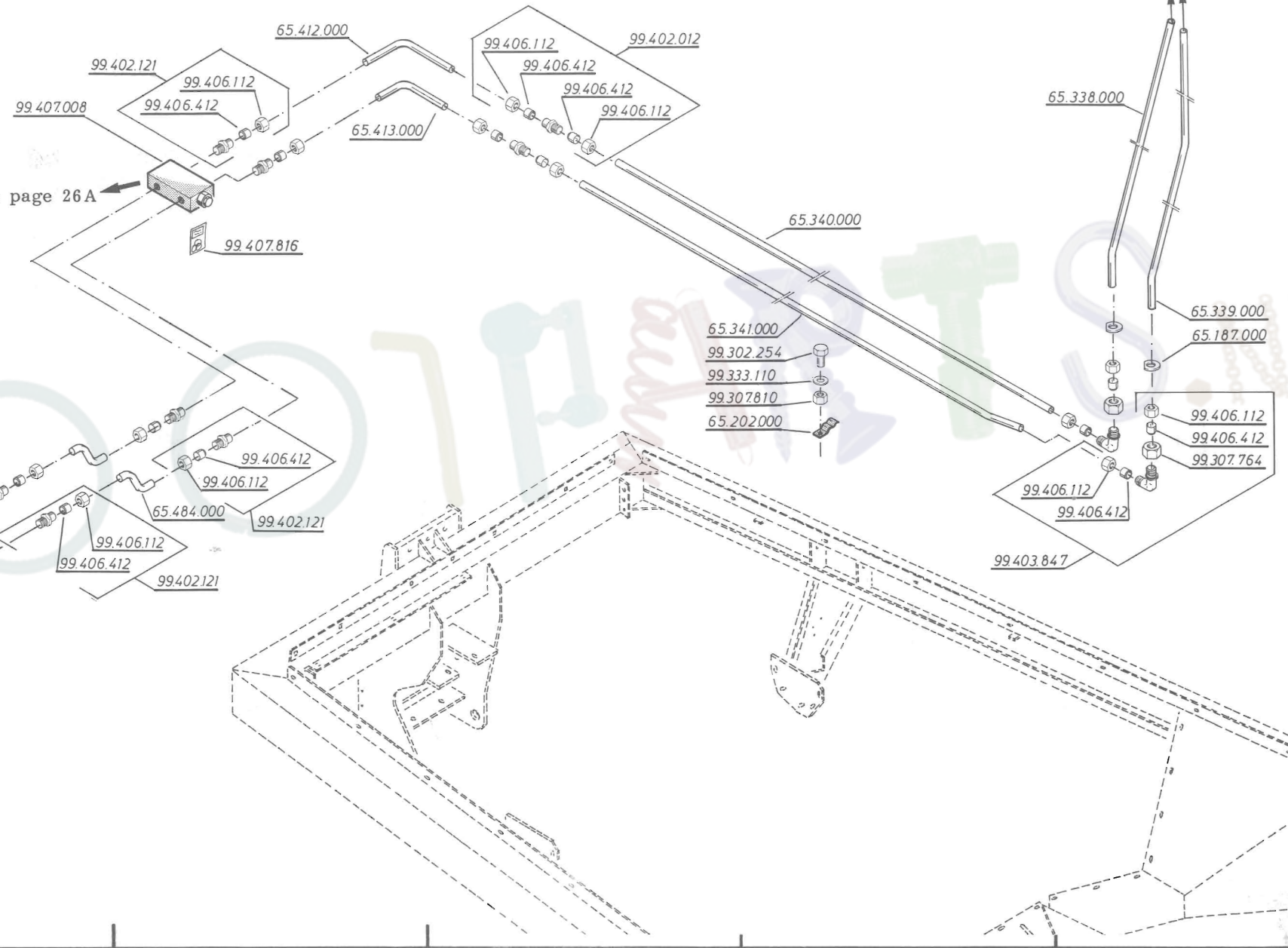
d

19A

C see page 20 A

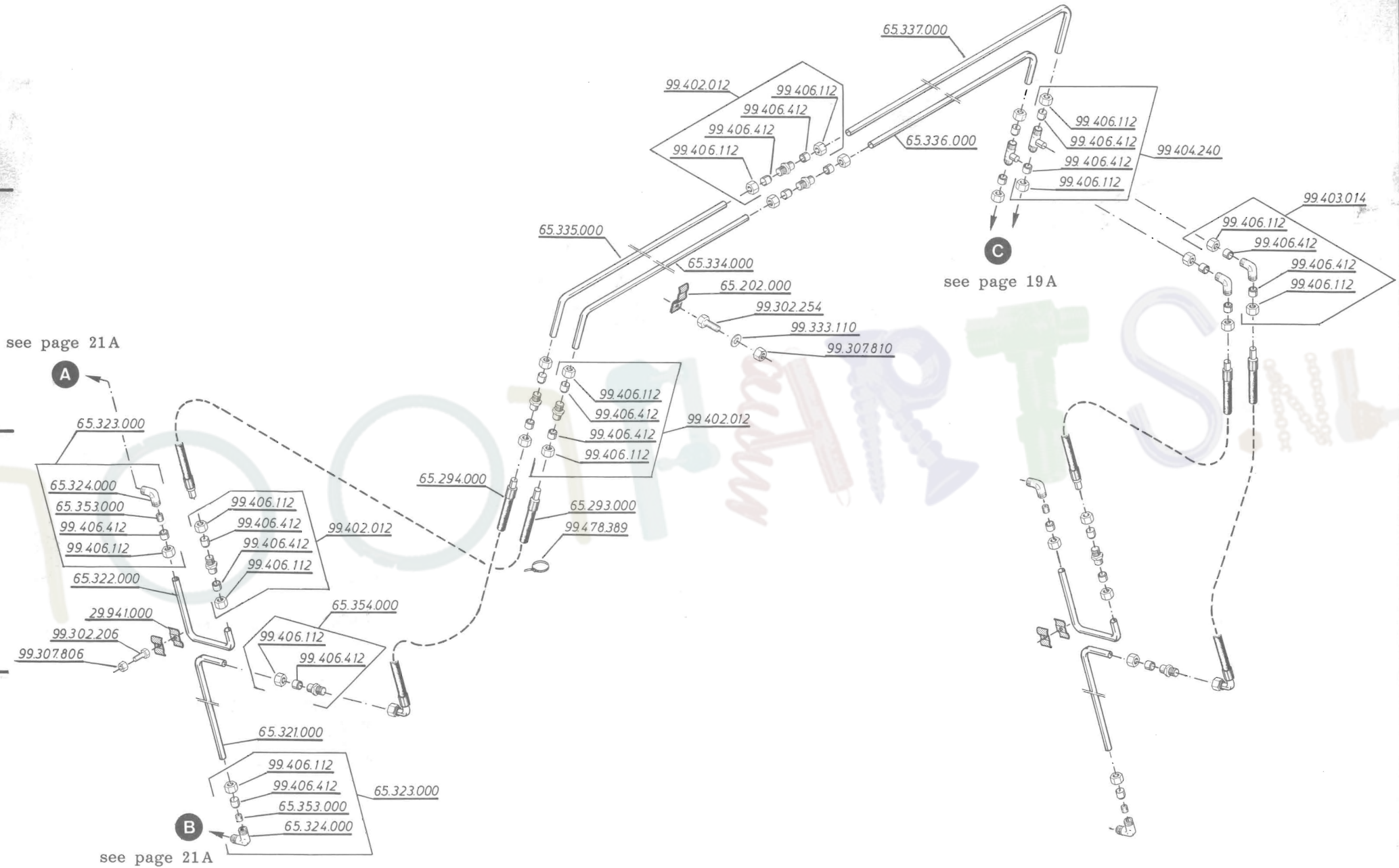
see page 26 A

E see page 18 A

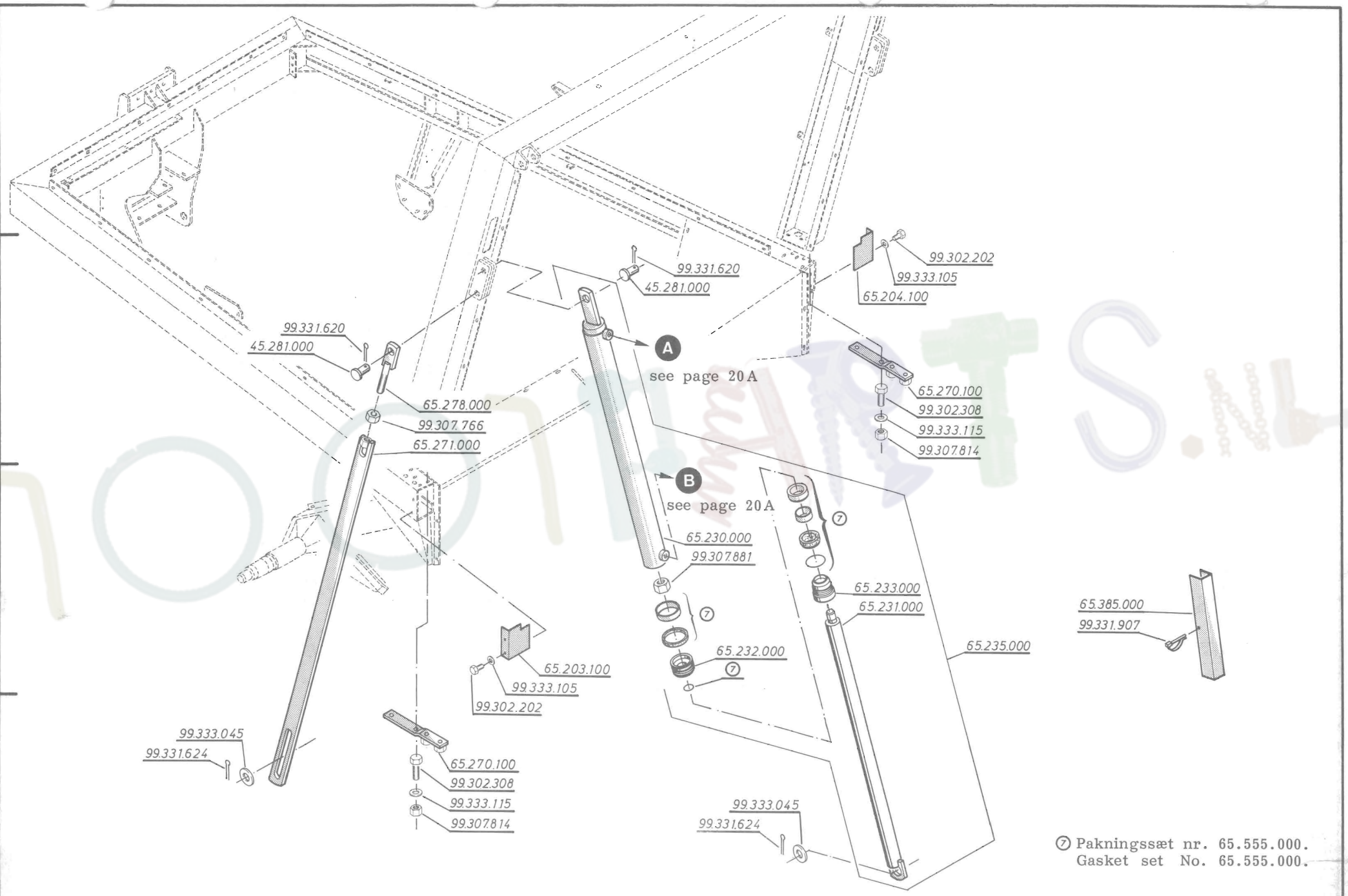


20 A  
a  
b  
c  
d

1 2 3 4 5



a  
b  
c  
d



⑦ Pakningsset nr. 65.555.000.  
Gasket set No. 65.555.000.

1

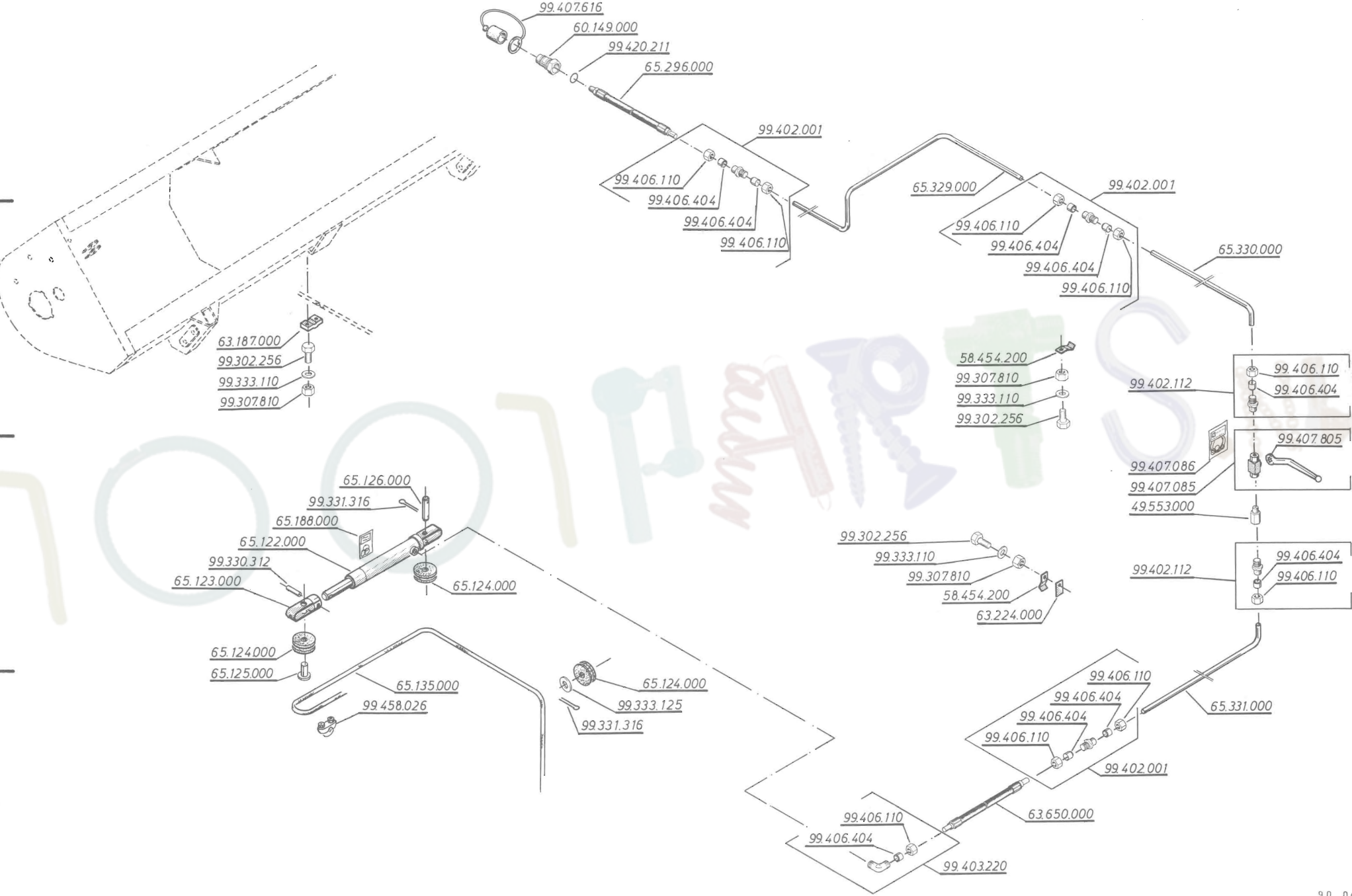
2

3

4

5

b  
c  
d



Compl. No.	A	B	C	D	E
65.360.000	X	X			X
65.382.000			X	X	
65.370.000	X	X	X	X	X

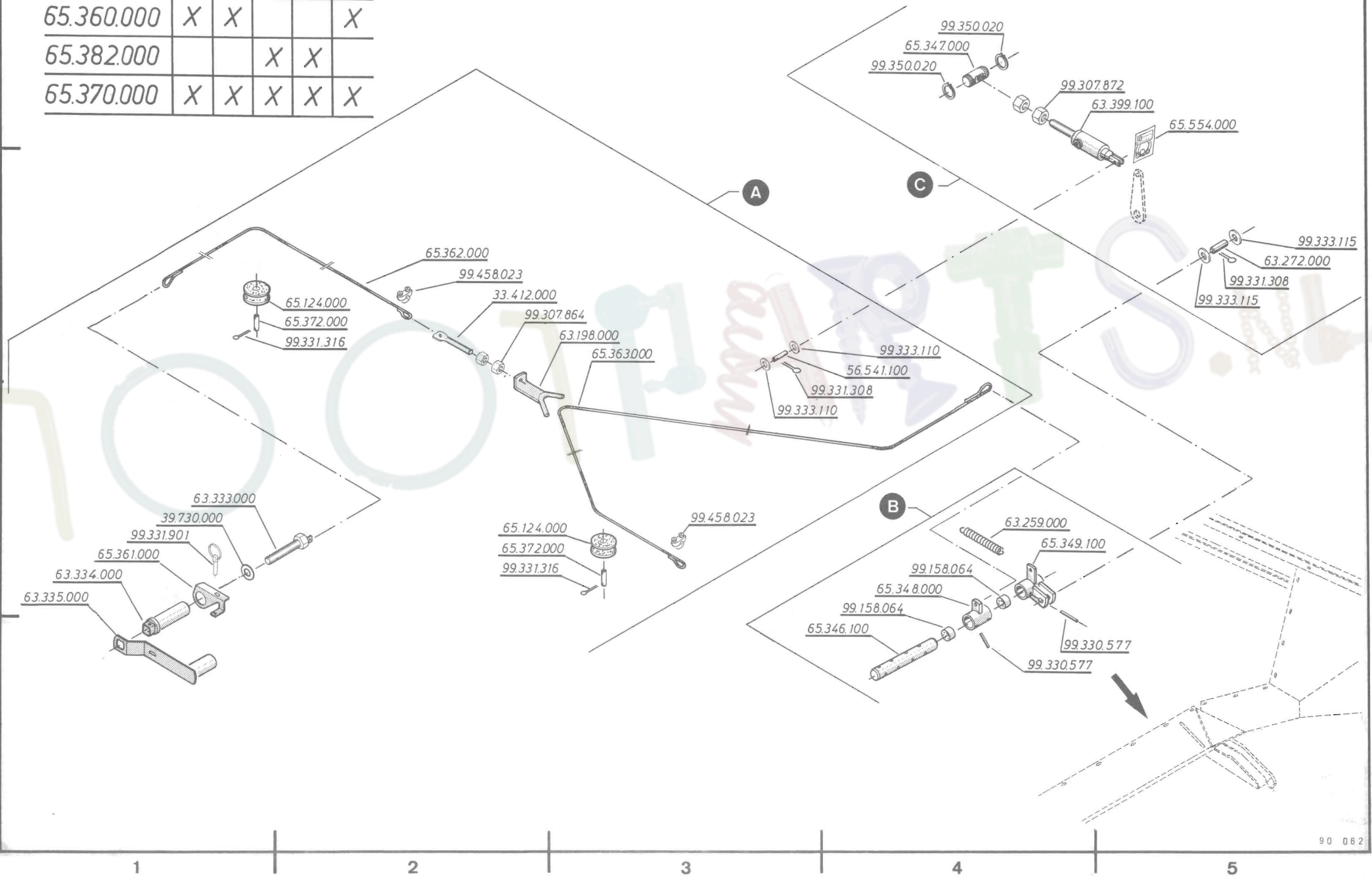
a

b

c

d

23A





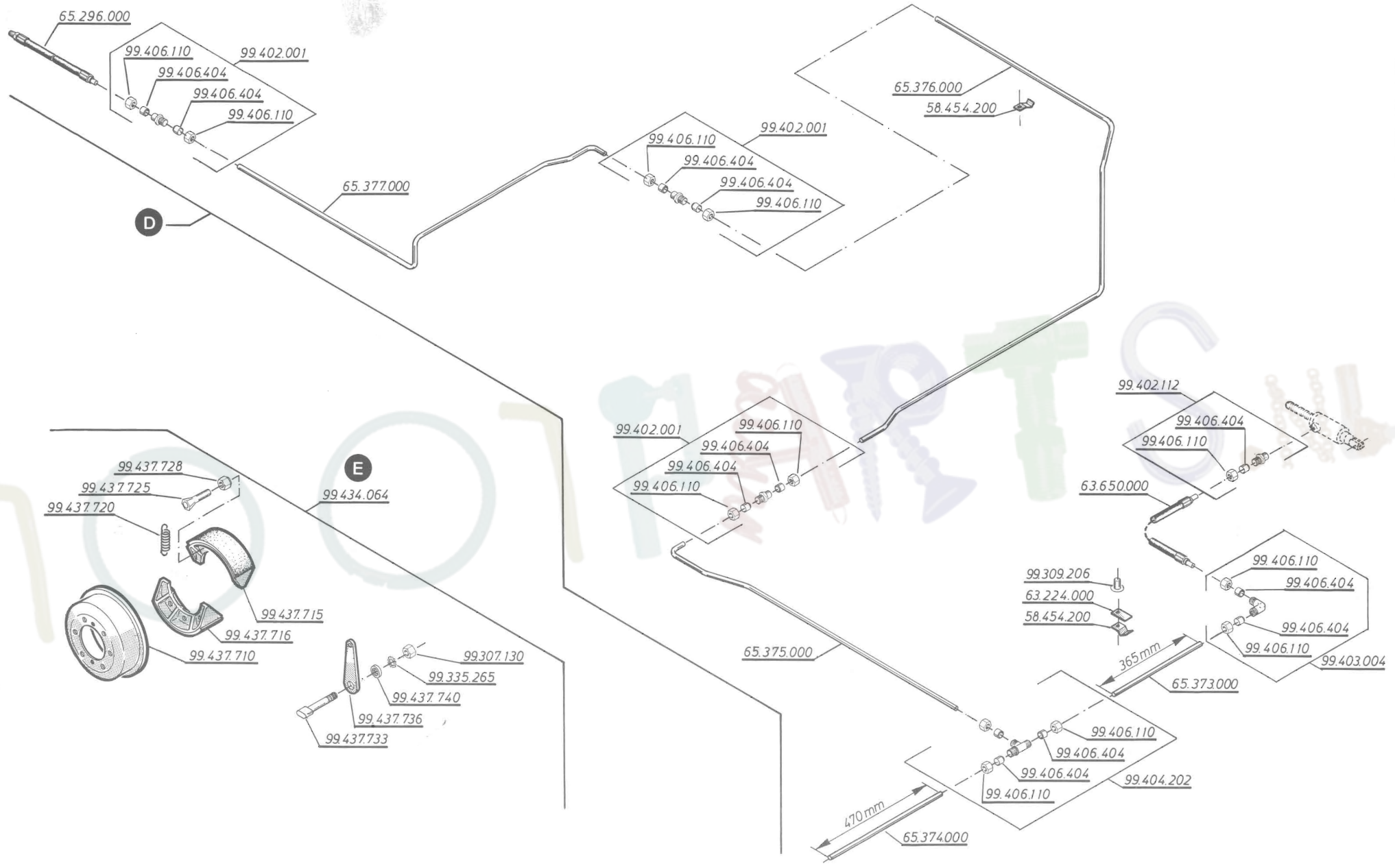
1 2 3 4 5

a

b

c

d



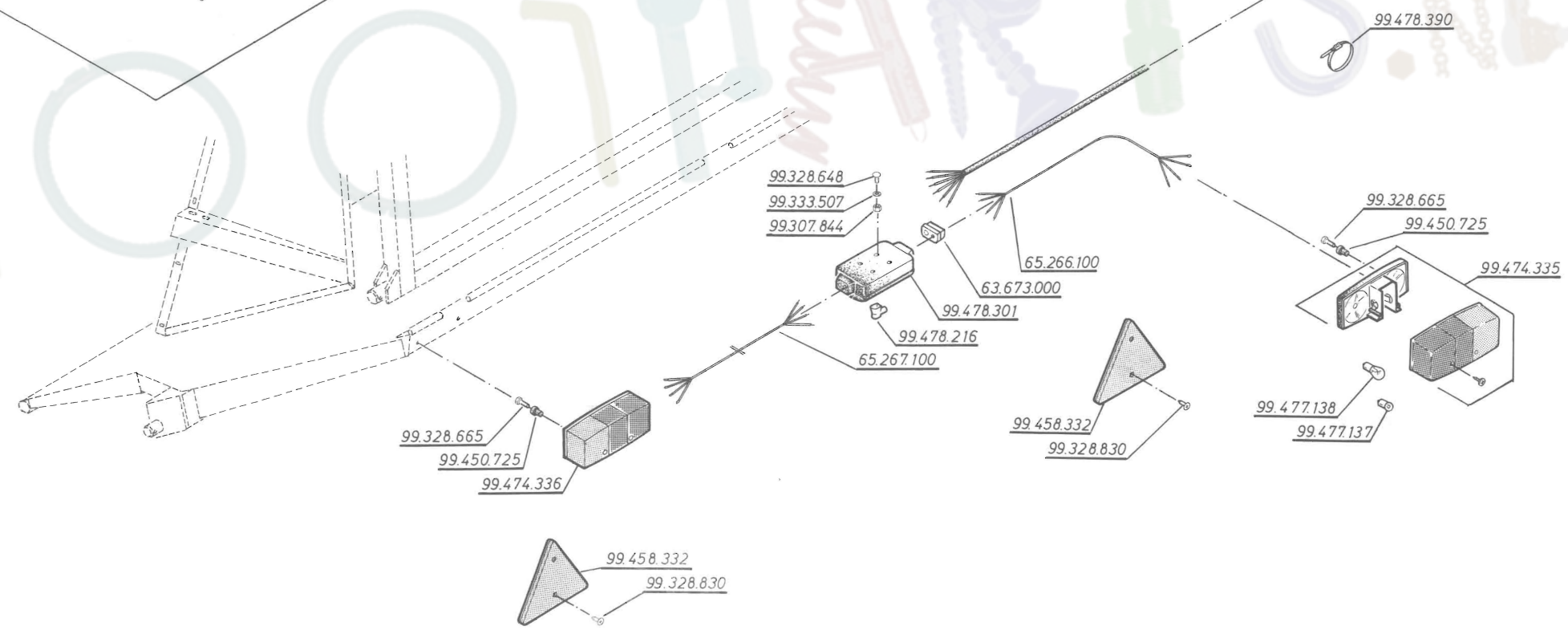
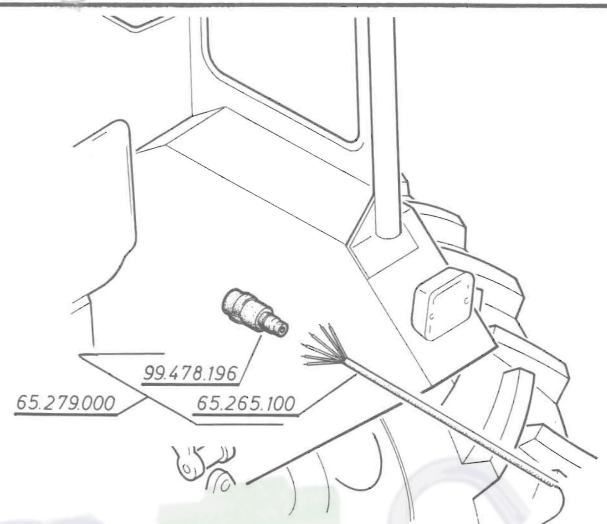
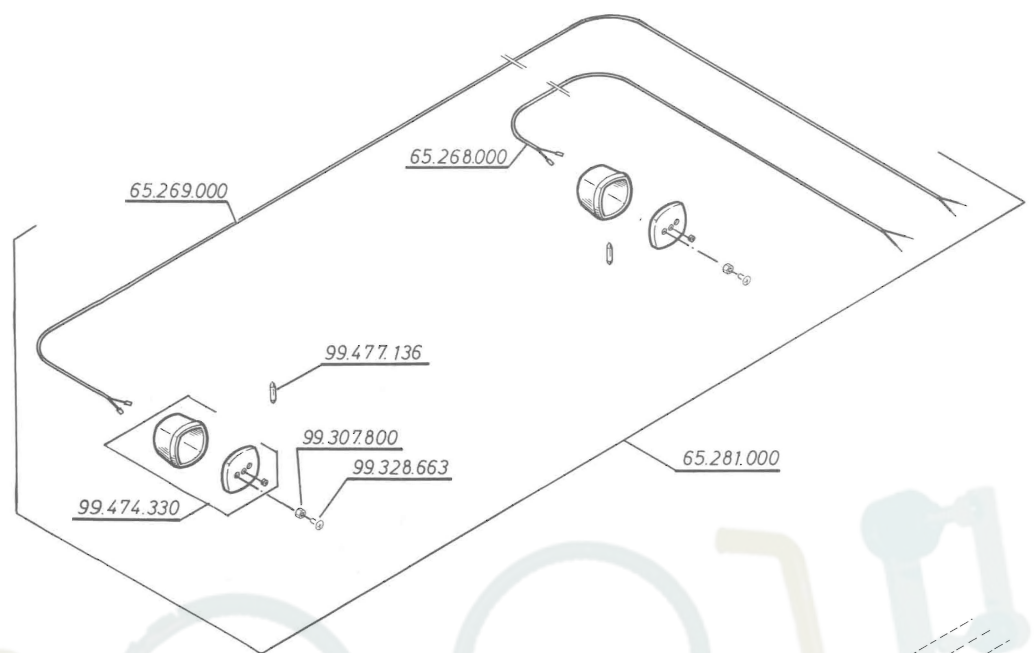
a

b

c

d

25 A



1

2

3

4

5

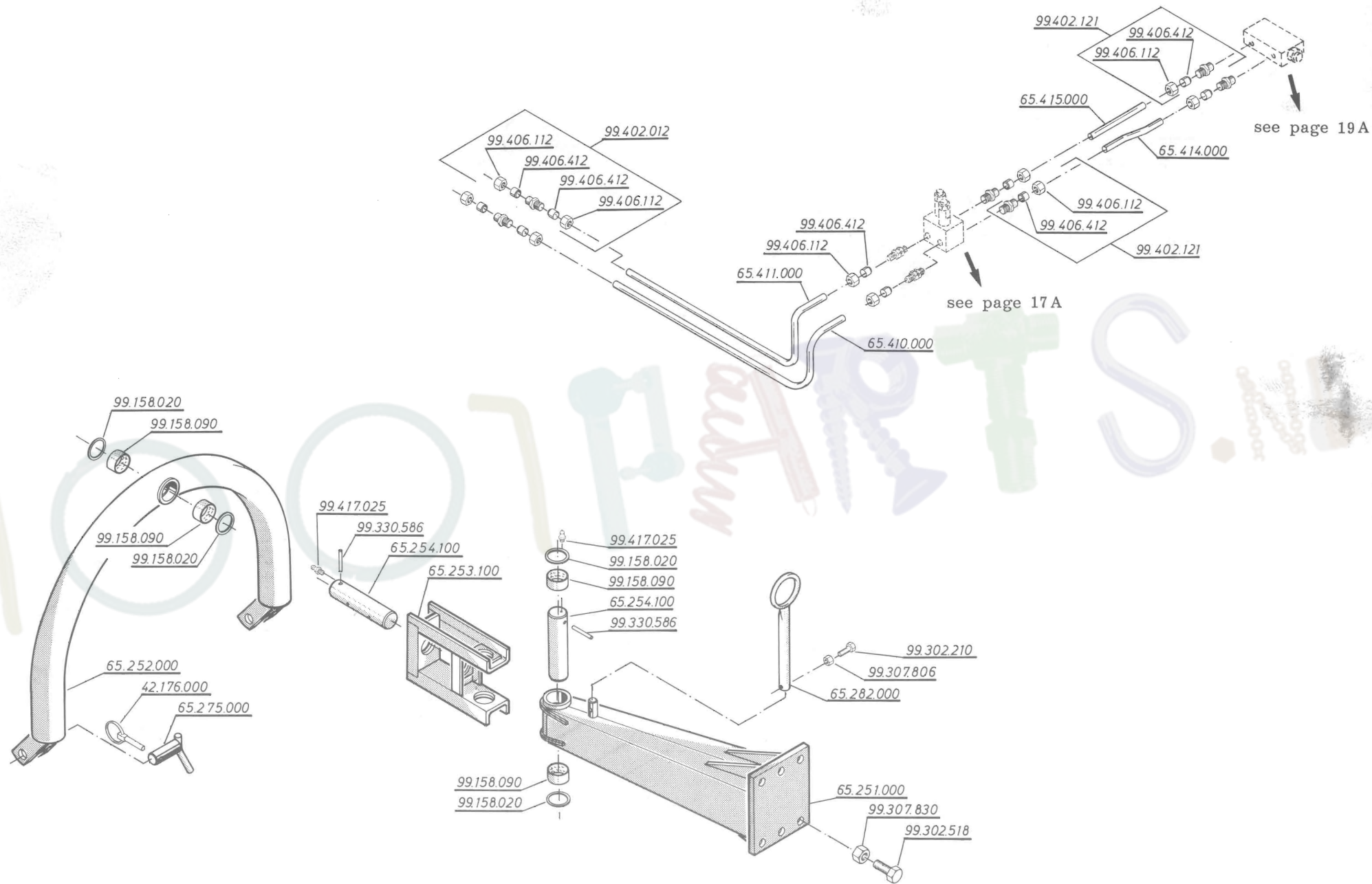
1

2

3

4

5



Compl.No.	A	B	C
63.450.100	X		
63.468.100	X		X
63.442.100		X	X

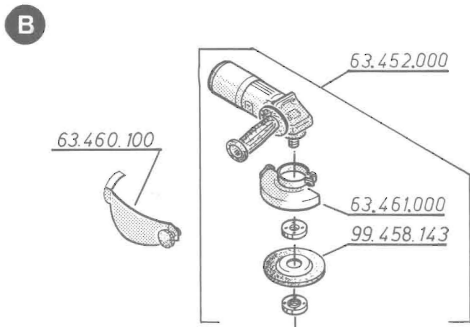
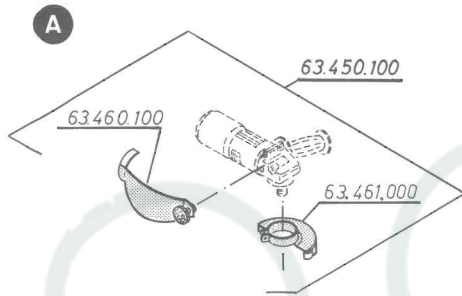
a

b

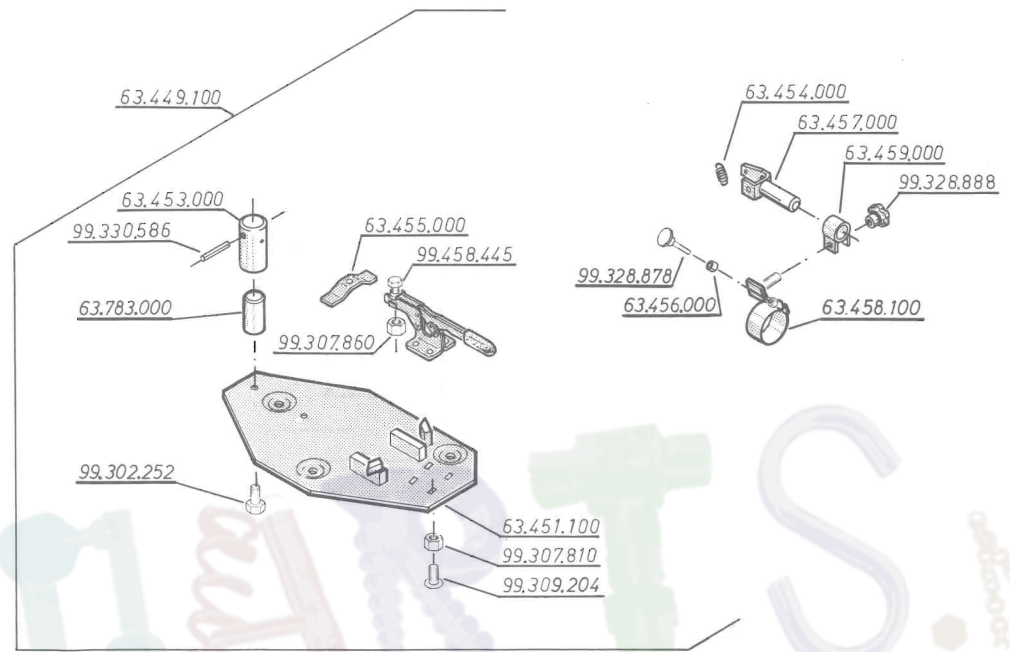
c

d

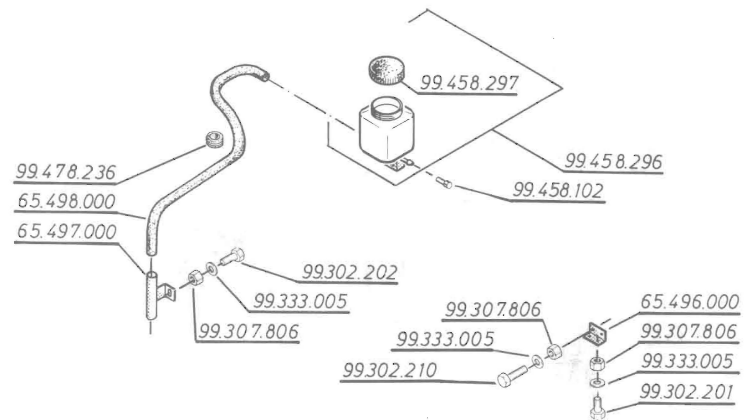
27 A



**C**



65.500.000



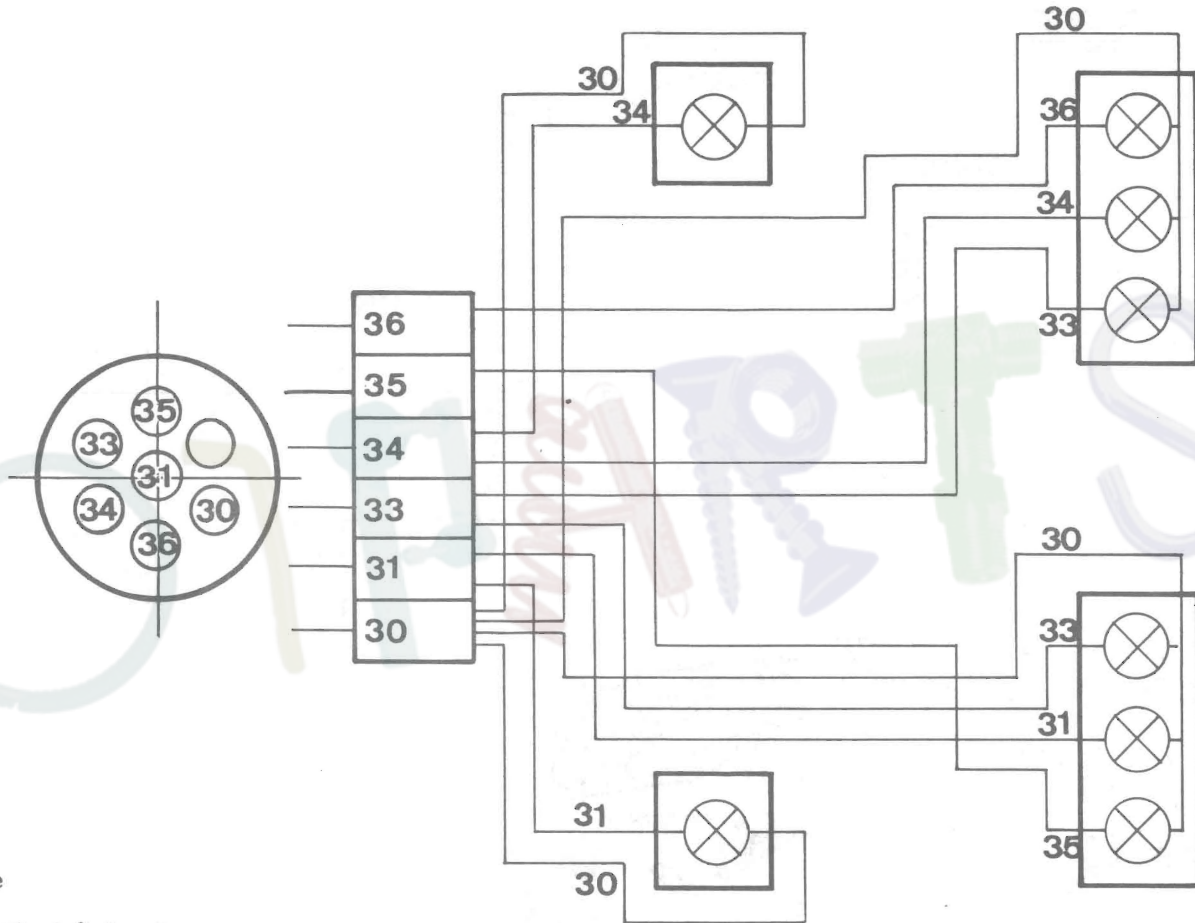
1

2

3

4

5



- |                          |                           |
|--------------------------|---------------------------|
| 30. Stel                 | Body/frame                |
| 31. Venstre positionslys | Parking lights left hand  |
| 33. Bremselys            | Brake light               |
| 34. Højre positionslys   | Parking lights right hand |
| 35. Venstre blinklys     | Flasher light left hand   |
| 36. Højre blinklys       | Flasher light right hand  |

Part No.	Num-ber	Description	Index	
			Pos.	Page
18.339.000	1	Ø3 mm spring clip	d-1	1A
29.941.000	4	Hydraulic bracket	x <sub>c</sub> -1	20A
33.412.000	1	Spring tightener	b-2	23A
35.325.000	2	Cotter bolt	c-4	7A
37.264.000	8	Washer	c-1	8A
37.288.000	2	Cotter bolt	a-4	15A
38.704.000	1	Bushing	b-1	1A
39.730.000	1	Washer	c-1	23A
42.176.000	17	Linch pin	x <sub>b</sub> -4	6A
43.529.000	1	Cotter bolt	d-2	18A
45.281.000	4	Cotter bolt	x <sub>b</sub> -3	21A
45.432.000		M 10 - 19 carriage bolt		
45.514.000	2	6 mm nylon thread with hard	b-4	16A
45.583.000	1	Distance tube	a-3	17A
47.142.000	1	Angle bolt	d-1	1A
48.650.000	9	Washer	x <sub>c</sub> -2	5A
48.651.000	5	Spacing washer	c-2	5A
49.553.000	1	Nozzle	c-5	22A
56.184.000	1	Ball-washer	c-5	4A
56.523.000	1	Washer	b-3	9A
56.541.100	2	Cotter bolt	x <sub>b</sub> -4	23A
58.454.200	5	Cable holder	x <sub>c</sub> -4	24A
58.740.000	1	Washer	b-1	9A
60.149.000	3	1/2" quick coupling with nipple	x <sub>c</sub> -1	17A
60.245.000	1	Dust cap, blue	c-1	17A
63.133.000	5	Bolt	c-1	6A
63.168.100	4	Roller	b-3	8A
63.180.000	8	Bushing	d-2	8A
63.184.100	1	Roller	c-3	9A
63.187.000	1	Lug	b-1	22A
63.189.000	5	Adjusting piece complete	c-1	6A
63.198.000	1	Adjusting bracket	b-3	23A
63.218.200	1	Guard	a-2	12A
63.224.000	3	Lug	x <sub>c</sub> -4	24A
63.239.100	1	Tool	c-1	12A
63.240.000	1	Hub	a-1	9A
63.254.000	1	Bushing	c-3	9A
63.259.000	2	Spring	x <sub>c</sub> -4	23A
63.272.000	2	Cotter bolt	x <sub>b</sub> -5	23A
63.333.000	1	Bolt	c-1	23A
63.334.000	1	Tube	c-1	23A
63.335.000	1	Cranked handle	c-1	23A
63.391.000	1	Guard	c-1	12A
63.399.100	2	Brake cylinder	x <sub>a</sub> -5	23A
63.442.100	1	Grinding machine and angle grinder	a-1	27A
63.449.100	1	Grinding tools, stationary	a-3	27A
63.450.100	1	Grinding machine - mobile	a-1	27A
63.451.100	1	Bracket for grinding tools	b-4	27A
63.452.000	1	Angle grinder complete	c-2	27A
63.453.000	1	Bushing	a-3	27A
63.454.000	1	Tension spring	a-5	27A
63.455.000	1	Holder	a-4	27A
63.456.000	1	Tube	a-4	27A
63.457.000	1	Arm	a-5	27A
63.458.100	1	Holder	b-5	27A
63.459.000	1	Holder	a-5	27A
63.460.100	1	Guard	b-1	27A
63.461.000	1	Guard	b-2	27A
63.464.000	2	15.00 - 18 (10 ply) wheel complete	d-2	2A
63.468.100	1	Grinding machine without angle grinder	a-1	27A
63.545.000	2	15.00 - 17 (10 ply) wheel complete	b-5	2A
63.546.000	2	500 - 15.5 (10 ply) wheel complete	b-2	2A
63.650.000	4	Hydraulic hose	x <sub>b</sub> -3	18A
63.651.000	1	Hydraulic hose	d-3	18A
63.673.000	1	Cable lead-in bush	c-4	25A
63.775.000	1	Pick-up indicator	a-5	8A
63.781.000	1	Pick-up indicator complete	a-5	8A
63.783.000	1	Shaft	b-3	27A
65.109.000	1	Flange	c-4	8A
65.110.100	1	Main shaft complete	d-2	8A
65.111.100	4	Pick-up tube	b-2	8A
65.112.000	21	Pick-up band	b-1	8A
65.113.000	1	Cam disc	b-4	7A
65.115.100	1	Suspension plate, left	c-2	7A

Part No.	Number	Description	Index	
			Pos.	Page
65.116.200	1	Pick-up frame	b-2	7A
65.117.000	1	Side plate, right	b-5	7A
65.118.000	1	Suspension plate, right	a-4	7A
65.119.000	1	Driving chain wheel Z = 38	c-1	4A
65.120.000	1	Chain wheel Z = 18	a-2	9A
65.121.100	1	Chain wheel Z = 40	d-4	8A
65.122.000	1	Lifting cylinder for pick-up	c-1	22A
65.123.000	1	Holder	c-1	22A
65.124.000	7	Roller	x <sub>c</sub> -2	23A
65.125.000	1	Pin	d-1	22A
65.126.000	1	Cotter bolt	c-2	22A
65.127.000	4	Pin	b-3	8A
65.128.000	1	Suspension plate, right	a-5	7A
65.131.000	1	Chain wheel Z = 13	b-3	9A
65.132.000	1	Chain tightener	c-4	9A
65.133.000	2	Arm for supporting wheel	c-4	7A
65.134.000	2	Supporting wheel complete	c-3	7A
65.135.000	1	Steel wire, $\phi$ 8 mm, l = 1970 mm	d-2	22A
65.137.000	1	3/4" - 7/16" chain complete, l = 1753 mm	d-2	9A
65.139.000	1	1 1/4" - 3/4" chain complete, l = 2032 mm	d-1	9A
65.140.000	3	Knife section, middle	c-4	6A
65.141.000	1	Knife section, left	d-3	6A
65.142.000	1	Knife section, right	b-5	6A
65.143.000	1	Guard	c-1	12A
65.144.000	1	Side plate, left	d-1	3A
65.145.000	1	Side plate, right	b-2	3A
65.146.000	2	Washer	x <sub>c</sub> -4	4A
65.147.000	2	Bushing	x <sub>a</sub> -4	4A
65.148.000	2	Bushing	x <sub>a</sub> -4	4A
65.149.000	2	M 12 bolt	d-2	4A
65.150.000	1	Distance tube	c-2	4A
65.151.000	1	Inserting roller	c-2	3A
65.152.000	1	Distance tube	d-3	3A
65.153.000	2	Bearing bushing	x <sub>b</sub> -4	3A
65.154.000	1	M 10 bolt	c-3	3A
65.155.000	5	Roller	b-1	6A
65.156.000	5	Shaft	a-1	6A
65.157.000	5	Rod	b-1	6A
65.158.000	10	Plate spring	a-2	6A
65.159.000	1	Shaft for knife section	c-2	5A
65.160.000	5	Bracket for plate spring	a-1	6A
65.161.000	1	Guard plate	d-5	5A
65.162.000	1	Guard, left	d-2	3A
65.163.000	1	Guard, right	b-5	3A
65.164.000	1	Plate	d-2	3A
65.165.100	1	Tube	a-3	3A
65.166.000	2	Rail	x <sub>b</sub> -4	6A
65.167.000	2	Angle rail	x <sub>b</sub> -5	6A
65.168.000	3	Angle rail	c-4	6A
65.169.000	3	Rail	c-3	6A
65.170.100	1	Shell for chopper	b-1	5A
65.172.000	1	Disc guard	a-4	3A
65.173.000	1	Axle journal	b-3	9A
65.174.000	3	Lock for knife section	c-3	6A
65.175.000	2	Lock for knife section	d-2	6A
65.178.100	134	Carrier half part	b-5	4A
65.180.100	7	Clamp	b-1	4A
65.181.000	3	Knife section, middle, complete	c-4	6A
65.182.000	1	Knife section, left, complete	d-3	6A
65.183.000	1	Knife section, right, complete	c-5	6A
65.184.100	1	Drum complete	a-2	4A
65.186.000	5	Shaft	b-1	6A
65.187.000	2	Washer	b-5	19A
65.188.000	1	Gasket set for cylinder No. 63.122.000	c-2	22A
65.201.400	1	Main frame, prepared for brakes	c-2	1A
65.201.500	1	Main frame	c-2	1A
65.202.000	4	Holder	x <sub>c</sub> -4	19A
65.203.100	1	End plate	c-3	21A
65.204.100	1	End plate	b-4	21A
65.205.100	1	Bracket	a-3	12A
65.210.000	1	Scraper shutter	b-2	15A
65.211.000	1	Cover plate, right	b-2	15A
65.212.000	1	Cover plate, left	b-1	15A
65.213.000	1	Triangle, left	c-3	15A

Part No.	Number	Description	Index	
			Pos.	Page
65.214.000	1	Triangle, right	b-5	15A
65.215.000	1	Rear plate	b-5	15A
65.216.000	1	Bottom plate	c-5	15A
65.217.000	1	Bottom, prepared for brakes	d-2	15A
65.217.100	1	Bottom	d-2	15A
65.218.000	2	Reinforcement profile	b-2	13A
65.220.000	1	Protection, left	c-1	14A
65.221.000	1	Protection, right	a-3	14A
65.222.000	6	Side plate	c-5	14A
65.223.000	1	Support leg	d-1	1A
65.224.000	1	Side plate, right	c-5	12A
65.225.000	1	Side plate, left	c-3	12A
65.226.100	1	Frame	b-5	1A
65.227.000	1	Hinge rod	c-5	15A
65.228.000	2	Reinforcement profile, right	c-5	14A
65.229.000	2	Reinforcement profile, left	d-4	14A
65.230.000	2	Cylinder	x <sub>c</sub> -3	21A
65.231.000	2	Piston rod	x <sub>c</sub> -4	21A
65.232.000	2	Piston	x <sub>c</sub> -3	21A
65.233.000	2	Cylinder unit	x <sub>c</sub> -4	21A
65.235.000	2	Cylinder complete	x <sub>c</sub> -4	21A
65.236.000	1	Bottom plate	d-2	13A
65.237.000	1	Plate for tool box	c-5	13A
65.238.000	2	Rubber list	b-5	1A
65.251.000	1	Drawbar	d-4	26A
65.252.000	1	Draw clamp	c-1	26A
65.253.100	1	Turning bracket	c-2	26A
65.254.100	2	Axle journal	x <sub>c</sub> -3	26A
65.260.000	68	Scraper complete	b-4	5A
65.262.000	1	Scraper bar	c-3	5A
65.263.000	4	Rail	c-3	5A
65.264.000	4	Rail	c-3	5A
65.265.100	1	Cable I	b-4	25A
65.266.100	1	Cable II	c-4	25A
65.267.100	1	Cable III	c-3	25A
65.268.000	1	Cable IV	a-2	25A
65.269.000	1	Cable V	a-1	25A
65.270.100	2	Arm	x <sub>b</sub> -4	21A
65.271.000	2	Arm	x <sub>b</sub> -2	21A
65.272.000	1	Holder for support leg	c-1	1A
65.273.000	4	Hinge	c-1	13A
65.274.100	2	Gate	c-1	13A
65.275.000	2	Cotter bolt	d-1	26A
65.276.000	2	Lug	c-2	13A
65.277.000	2	Handle	b-1	13A
65.278.000	2	Spindle	x <sub>b</sub> -2	21A
65.279.000	1	Cable I complete	b-4	25A
65.281.000	1	Front light	b-2	25A
65.282.000	1	Hose holder	d-4	26A
65.283.100	1	Tension device	b-3	9A
65.285.000	1	Corner profile, right	a-3	14A
65.286.000	1	Corner profile, left	c-1	14A
65.288.100	1	Trailer box - front plate I	b-4	13A
65.289.000	1	Trailer box - front plate II	b-4	13A
65.290.000	1	Top profile, right	b-5	14A
65.291.000	1	Top profile, left	b-2	14A
65.292.000	1	Top edgeprofile	a-4	13A
65.293.000	2	Hydraulic hose	x <sub>c</sub> -3	20A
65.294.000	2	Hydraulic hose	x <sub>c</sub> -2	20A
65.295.000	2	Hydraulic hose	d-1	17A
65.296.000	2	Hydraulic hose	x <sub>a</sub> -1	24A
65.299.000		Set of 49 blunt knives	d-4	6A
65.301.100	1	Tarpaulin	b-4	16A
65.305.100		Set of 22 knives	d-4	6A
65.306.000	2	Reinforcement plate	b-2	14A
65.307.000		Set of 10 knives	d-4	6A
65.310.000	2	Tube holder	c-2	16A
65.311.000	1	Tube	c-4	16A
65.312.000	1	Tube	b-1	16A
65.314.000	1	Bracket for tarpaulin	d-3	16A
65.315.000	1	Bracket for tarpaulin	c-5	16A
65.316.000	2	Tube	b-5	16A
65.317.000	2	Tube clamp	b-4	16A
65.318.000	1	Bracket	b-1	16A



Part No.	Number	Description	Index	
			Pos.	Page
65.319.000	2	Steel wire	c-3	16A
65.321.000	2	Hydraulic tube	x <sub>d</sub> -2	20A
65.322.000	2	Hydraulic tube	x <sub>c</sub> -1	20A
65.323.000	4	Angle screwed connection complete	x <sub>d</sub> -2	20A
65.324.000	4	Angle screwed connection	x <sub>d</sub> -2	20A
65.329.000	1	Hydraulic tube	a-4	22A
65.330.000	1	Hydraulic tube	b-5	22A
65.331.000	1	Hydraulic tube	d-5	22A
65.334.000	1	Hydraulic tube	b-3	20A
65.335.000	1	Hydraulic tube	b-3	20A
65.336.000	1	Hydraulic tube	a-4	20A
65.337.000	1	Hydraulic tube	a-4	20A
65.338.000	1	Hydraulic tube	a-5	19A
65.339.000	1	Hydraulic tube	b-5	19A
65.340.000	1	Hydraulic tube	b-4	19A
65.341.000	1	Hydraulic tube	b-4	19A
65.346.100	2	Shaft	x <sub>d</sub> -4	23A
65.347.000	2	Shaft	x <sub>a</sub> -4	23A
65.348.000	2	Bracket	x <sub>c</sub> -4	23A
65.349.100	2	Bracket	x <sub>c</sub> -4	23A
65.353.000	4	Ø1,5 Pointed screw	x <sub>d</sub> -2	20A
65.354.000	2	Ø12 - 3/8" screwed connection	x <sub>c</sub> -2	20A
65.355.000	1	Clamp	c-4	16A
65.356.000	1	Steel wire	d-4	16A
65.357.000	1	Protection	c-1	7A
65.358.000	1	Eye bolt	d-4	16A
65.360.000	1	Parking brake complete	a-1	23A
65.361.000	1	Holder	c-1	23A
65.362.000	1	Ø6,5 steel wire, l = 1100 mm	b-2	23A
65.363.000	1	Ø6,5 steel wire, l = 1800 mm	b-3	23A
65.365.000	2	Check valve	d-4	17A
65.370.000	1	Hydraulic brakes	a-1	23A
65.372.000	4	Cotter bolt	x <sub>b</sub> -2	23A
65.373.000	1	Hydraulic tube	c-5	24A
65.374.000	1	Hydraulic tube	d-4	24A
65.375.000	1	Hydraulic tube	c-3	24A
65.376.000	1	Hydraulic tube	a-4	24A
65.377.000	1	Hydraulic tube	a-2	24A
65.381.000	1	Flange	d-4	2A
65.382.000	1	Hydraulic cylinder inclusive tube and hoses	a-1	23A
65.385.000	2	Profile	x <sub>c</sub> -5	21A
65.410.000	1	Hydraulic tube	b-4	26A
65.411.000	1	Hydraulic tube	b-3	26A
65.412.000	1	Hydraulic tube	a-2	19A
65.413.000	1	Hydraulic tube	a-2	19A
65.414.000	1	Hydraulic tube	a-5	26A
65.415.000	1	Hydraulic tube	a-4	26A
65.441.000	2	Intermediate plate	b-1	5A
65.459.000	1	Electric control box complete	a-5	17A
65.461.100	1	Drawbar	b-2	1A
65.462.000	1	Suspension plate	b-1	1A
65.463.000	1	Clamp	b-1	1A
65.464.000	1	Ring	a-2	1A
65.465.000	1	Eye bracket	a-1	1A
65.466.000	1	Hose holder	a-3	1A
65.467.000	1	Cable	b-4	17A
65.468.000	1	Cable	b-2	17A
65.470.000	1	Cylinder complete	c-1	18A
65.471.000	1	Piston rod	c-1	18A
65.472.000	1	Drawbar bolt	a-3	1A
65.473.000	1	Cylinder union	d-1	18A
65.476.000	1	Cotter bolt	b-2	18A
65.477.000	1	Cylinder	c-2	18A
65.478.000	1	Adjusting link	d-1	18A
65.479.000	1	Hydraulic tube	d-3	17A
65.480.000	1	Hydraulic tube	d-3	17A
65.481.000	1	Hydraulic tube	c-4	18A
65.482.000	1	Hydraulic tube	c-4	18A
65.483.000	2	Hydraulic tube	c-5	17A
65.484.000	2	Hydraulic tube	c-2	19A
65.485.000	1	Arm	a-4	17A
65.486.000	1	Bracket	a-4	17A
65.488.000		Gasket set for cylinder No. 65.470.000	d-5	18A
65.496.000	1	Bracket	d-4	27A

Part No.	Number	Description	Index	
			Pos.	Page
65.497.000	1	Bracket	d-3	27A
65.498.000	1	Oil tube	c-3	27A
65.500.000	1	Drip oiling complete	c-3	27A
65.510.000	1	Tools complete	b-5	4A
65.511.000	1	Carrier tools	c-5	4A
65.512.000	1	Spindle	c-5	4A
65.513.000	1	Bracket	c-4	4A
65.552.000		Spare parts set for gear No. 99.250.868	d-5	10A
65.553.000		Set of 10 scraper points	d-4	5A
65.554.000		Gasket set for cylinder No. 63.399.100	a-5	23A
65.555.000		Gasket set for cylinder No. 65.235.000	d-5	21A
65.556.000		Set of 7 chain wheel segments inclusive bolts	d-4	4A
65.557.000		Set of 10 pick-up springs and spring brackets inclusive bolts	d-3	8A
99.100.215	2	60 Single row ball bearing	c-4	7A
99.100.239	2	6009 - 2 RS Single row ball bearing	<sup>x</sup> c-2	3A
99.100.269	2	6015 - 2 RS Ball bearing	<sup>x</sup> b-4	4A
99.100.310	2	620 Single row ball bearing	d-3	7A
99.100.319	1	6205 - 2 RS Ball bearing	b-3	9A
99.100.440	1	6310 Ball bearing	d-1	10A
99.106.025	1	30208 Conical roller bearing	b-5	10A
99.106.035	1	30210 Conical roller bearing	c-3	10A
99.106.040	2	30211 Roller bearing	c-5	2A
99.106.225	1	30307 Conical roller bearing	a-3	10A
99.106.540	2	LM 102 949/910 Roller bearing	d-4	2A
99.127.025	2	φ35 Plate flanged bearing	c-4	8A
99.158.010	5	Slide bearing	c-1	6A
99.158.020	4	Glacier pressure washer	<sup>x</sup> b-1	26A
99.158.064	6	Slide bearing	<sup>x</sup> c-4	23A
99.158.090	4	Glacier bushing	<sup>x</sup> c-3	26A
99.210.838	1	3/4" - 7/16" Joint link, heavy	d-2	9A
99.210.871	1	1 1/4" - 3/4" Joint link	c-1	9A
99.234.885	1	EK 64/2 R Friction coupling 1500 Nm	b-5	11A
99.235.455	1	Washer	a-3	11A
99.235.472	1	120/150 - 3.5 Support washer	c-5	11A
99.235.518	4	Washer	b-5	11A
99.235.519	2	Cross complete	a-4	11A
99.235.520	1	Cross complete	b-3	11A
99.235.523	1	Wide angle yoke	a-4	11A
99.235.540	1	Flange yoke	b-4	11A
99.235.541	1	Wide angle yoke	a-2	11A
99.235.545	1	Wide angle link	a-5	11A
99.236.236	8	Screw	c-1	11A
99.236.633	1	Inner profile tube, l = 780 mm	a-2	11A
99.236.682	1	Outer profile tube, l = 780 mm	b-2	11A
99.236.775	1	Chain, l = 400 mm	d-1	11A
99.236.776	1	Chain, l = 600 mm	d-1	11A
99.236.792	1	Bearing ring	b-1	11A
99.236.898	1	Protection cone	b-1	11A
99.236.936	1	Inner protection tube	c-3	11A
99.236.953	1	Outer protection tube	c-2	11A
99.237.104	1	Yoke	b-3	11A
99.237.270	1	Coupling housing	c-4	11A
99.237.315	1	Pawl	a-3	11A
99.237.333	1	Pressure spring	a-3	11A
99.237.340	1	Key lock complete	c-5	11A
99.237.369	1	Oil seal	c-5	11A
99.237.419	2	Bearing ring	d-3	11A
99.237.431	1	Support ring	d-3	11A
99.237.440	1	Protection cone	c-2	11A
99.237.452	1	Protection cone	d-4	11A
99.244.341	1	P.T.O. shaft complete	a-1	11A
99.250.579	1	Bushing	d-1	10A
99.250.581	1	Washer	d-1	10A
99.250.594	1	OR 3175 O-ring	d-1	10A
99.250.868	1	Gearbox 540 min <sup>-1</sup>	b-2	10A
99.250.906	1	Washer	b-5	10A
99.250.926	2	Gasket	b-5	10A
99.250.928	1	Gasket	c-2	10A
99.250.933	1	φ45.3 - 1 Washer	c-4	10A
99.250.946	1	φ35.3/φ48 Washer	b-3	10A
99.250.949	1	Gearbox housing	b-5	10A
99.250.950	1	Cover	b-5	10A
99.250.956	1	Cover	a-2	10A
99.250.971	1	M 45 - 1.5 Lock nut	b-4	10A

Part No.	Number	Description	Index	
			Pos.	Page
99.250.974	1	70.3 Spacing washer	c-3	10A
99.250.976	1	45 x 69 x 1.25 Lock washer	b-4	10A
99.250.984	2	1/2" Oil plug	a-4	10A
99.250.986	1	Oil level screw	a-5	10A
99.250.990	1	φ60/φ110 - 12 Oil seal	d-1	10A
99.250.995	1	Cover	c-2	10A
99.250.996	1	Shaft	c-3	10A
99.302.107		M 6 - 35 Steel bolt		
99.302.201		M 8 - 16 Steel set screw		
99.302.202		M 8 - 20 Steel set screw		
99.302.206		M 8 - 30 Steel set screw		
99.302.208		M 8 - 35 Steel bolt		
99.302.210		M 8 - 40 Steel bolt		
99.302.252		M 10 - 20 Steel set screw		
99.302.254		M 10 - 25 Steel set screw		
99.302.256		M 10 - 30 Steel set screw		
99.302.258		M 10 - 35 Steel set screw		
99.302.260		M 10 - 40 Steel bolt		
99.302.268		M 10 - 60 Steel bolt		
99.302.304		M 12 - 25 Steel set screw		
99.302.308		M 12 - 35 Steel set screw		
99.302.310		M 12 - 40 Steel set screw		
99.302.406		M 16 - 30 Steel set screw		
99.302.408		M 16 - 35 Steel set screw		
99.302.428		M 16 - 85 Steel bolt		
99.302.518		M 20 - 60 Steel set screw		
99.307.130		3/4" UNF Nut		
99.307.530		3/4" WG Lock nut		
99.307.755		M 10 Counter nut		
99.307.758		M 12 Counter nut		
99.307.764		M 18 Counter nut		
99.307.766		M 20 Counter nut		
99.307.774		M 30 Counter nut		
99.307.800		M 5 Lock nut		
99.307.802		M 6 Lock nut		
99.307.806		M 8 Lock nut		
99.307.810		M 10 Lock nut		
99.307.812		M 10 Lock nut (Bilock)		
99.307.814		M 12 Lock nut		
99.307.822		M 16 Lock nut		
99.307.830		M 20 Lock nut		
99.307.844		M 4 Lock nut		
99.307.860		M 10 Steel nut		
99.307.864		M 12 Steel nut		
99.307.872		M 16 Steel nut		
99.307.881		M 20 Steel nut		
99.307.966		M 36 x 1.5 Castellated nut		
99.308.838		M 12 - 30 Steel bolt (Tensilock)		
99.309.202		M 10 - 20 Carriage bolt		
99.309.204		M 10 - 25 Carriage bolt		
99.309.206		M 10 - 30 Carriage bolt		
99.309.210		M 10 - 40 Carriage bolt		
99.309.212		M 10 - 45 Carriage bolt		
99.309.216		M 10 - 55 Carriage bolt		
99.313.410		AM 8 - 10 Pointed screw		
99.314.312		M 6 - 16 Allen screw		
99.322.382		M 10 - 22 Set screw		
99.322.458		M 12 - 80 Steel set screw		
99.328.648		M 4 - 16 Cylinder screw with notch		
99.328.663		M 5 - 16 Cylinder screw with notch		
99.328.665		M 5 - 25 Cylinder screw with notch		
99.328.830		5/8" - 10 Selfthreading screw		
99.328.878		M 6 - 25 Finger screw	a-4	27A
99.328.888		M 10 Cross head	a-5	27A
99.330.306		φ5 - 20 Pipe pin	c-1	13A
99.330.312		φ5 - 30 Pipe pin	c-1	22A
99.330.421		φ7 - 45 Pipe pin	x c-2	5A
99.330.424		φ7 - 50 Pipe pin	b-3	1A
99.330.433		φ7 - 65 Pipe pin	a-1	1A
99.330.474		φ8 - 50 Pipe pin	b-3	8A
99.330.577		φ10 - 55 Pipe pin	x d-4	23A
99.330.586		φ10 - 70 Pipe pin	x a-3	27A
99.330.589		φ10 - 75 Pipe pin	a-2	11A
99.330.677		φ12 - 65 Pipe pin	a-1	1A

Part No.	Num-ber	Description	Index		
			Pos.	Page	
99.331.308		4 - 20	Split pin	x <sub>b</sub> -5	23A
99.331.312		4 - 25	Split pin	c-5	15A
99.331.316		4 - 32	Split pin	x <sub>b</sub> -2	23A
99.331.524		5 - 40	Split pin	x <sub>a</sub> -3	3A
99.331.620		6,3 - 36	Split pin	x <sub>b</sub> -2	21A
99.331.624		6,3 - 40	Split pin	x <sub>a</sub> -4	15A
99.331.644		6,3 - 63 mm	Split pin	d-4	2A
99.331.901		φ6	Linch pin	x <sub>c</sub> -4	7A
99.331.907		φ10 - 75	Pipe pin	c-5	21A
99.333.005		φ8.4/φ18 - 1.25	Face plate		
99.333.010		φ10.5/φ22 - 1.25	Face plate		
99.333.045		φ31/φ62 - 2.5	Face plate		
99.333.100		φ7.4/φ14 - 1.6	Facet washer		
99.333.105		φ8.4/φ17 - 1.6	Facet washer		
99.333.110		φ10.5/φ21 - 2	Facet washer		
99.333.115		φ13/φ24 - 2.5	Facet washer		
99.333.125		5/8	Washer, heavy		
99.333.507		φ13/φ5.3 - 1	Face plate		
99.334.010		φ10	Toothed washer		
99.335.010		A 3/8	Center spring washer		
99.335.110		A 10	Center spring washer		
99.335.112		A 12	Center spring washer		
99.335.265		B 20	Spring washer		
99.335.309		C 18.5	Conical spring washer		
99.350.020		U 30 - 1.5	Circlip	x <sub>a</sub> -4	23A
99.350.045		U 55	Circlip	d-4	8A
99.350.193		I 115 - 4	Circlip	c-2	4A
99.350.194		I 150 - 4	Circlip	c-5	11A
99.354.028		A 10 - 8 - 40	Key	c-4	9A
99.354.062		A 12 - 8 - 63	Key	a-2	9A
99.402.001		φ8 - φ8	Straight screwed connection	x <sub>c</sub> -4	18A
99.402.012		φ12 - φ12	Straight screwed connection	x <sub>a</sub> -3	19A
99.402.112		φ8 - 1/4"	Straight screwed connection	x <sub>b</sub> -5	24A
99.402.119		φ8 - 3/8"	Straight screwed connection	c-5	18A
99.402.121		φ12 - 3/8"	Straight lead-in screwed connection	x <sub>a</sub> -2	19A
99.403.004		φ8 - φ8	Angle screwed connection	x <sub>c</sub> -5	24A
99.403.014		φ12 - φ12	Angle screwed connection	b-5	20A
99.403.220		φ8 - 1/4"	Angle screwed connection	x <sub>a</sub> -1	18A
99.403.847		φ12	Angle screwed connection	c-4	19A
99.404.202		φ8	T-screwed connection	d-5	24A
99.404.240		φ12	T-screwed connection	a-5	20A
99.406.110		φ8	Union nut	x <sub>c</sub> -3	18A
99.406.112		φ12	Union nut	x <sub>a</sub> -2	19A
99.406.404		φ8	Cutting ring	x <sub>c</sub> -3	18A
99.406.412		φ12	Cutting ring	x <sub>a</sub> -2	19A
99.407.008	1		Block	a-1	19A
99.407.010	1		Double pressure limitating valve	d-4	17A
99.407.085	1	1/4	Block-ball valve	c-5	22A
99.407.086	1		Gasket set for block-ball valve	c-5	22A
99.407.117	1	6 V	Hydraulic valve	c-5	18A
99.407.616	2		Dust cap, red	x <sub>c</sub> -1	17A
99.407.802	1		Spring	b-4	18A
99.407.803	1		Cap	b-5	18A
99.407.804	1		Magnet	b-5	18A
99.407.805	1		Handle	c-5	22A
99.407.816	2		Gasket set for block and pressure limitating valve	x <sub>b</sub> -2	19A
99.407.872	1		Cube plug, grey	b-4	17A
99.417.004	1	φ6 mm	Grease nipple	d-4	2A
99.417.025	4	M 6 type I	Grease nipple	x <sub>c</sub> -4	7A
99.417.026	2	M 6 type II	Grease nipple	x <sub>a</sub> -4	7A
99.417.030	1	M 8 type I	Grease nipple	a-5	11A
99.417.031	3	M 8 type II	Grease nipple	a-4	11A
99.420.211	3	17.3/2.4	O-ring	x <sub>c</sub> -1	17A
99.420.216	1	17.17 - 1.78	O-ring	b-4	18A
99.422.015	2	Z 005	Lamella seal	c-4	7A
99.424.063	1	35 - 62 - 10	Oil seal	a-3	10A
99.424.070	2	70100 10 - CB	Oil seal ring	c-5	2A
99.432.065	2	13.00 - 17	Rim	b-5	2A
99.432.068	2	13.00 - 18	Rim	d-2	2A
99.432.072	2	16.00 - 15,5	Rim	b-2	2A
99.432.375	2	15.00 - 17	Tyre	b-4	2A
99.432.379	2	15,0/70 - 18 - 10	ply tyre	d-2	2A
99.432.381	2	500/55 - 15.5 - 10	ply tyre	b-2	2A

Part No.	Number	Description	Index	
			Pos.	Page
99.432.675	2	15.00 - 17	Hose	b-5 2A
99.432.678	2	15.0/70 - 18	Hose	d-2 2A
99.432.681	2	500/55 - 15	Hose	b-2 2A
99.434.064	2	HDB 57 - 6	Brake part	c-2 24A
99.437.037	2	L/B 55 - 6	Hub housing	c-5 2A
99.437.175	2	47 mm	Hub cap	d-3 7A
99.437.186	2	φ77,5 U	Hub cap	d-4 2A
99.437.247	2	φ70/99	Tightening plate	c-5 2A
99.437.651	12	M 18 x 2.5 - 45	Flange bolt	c-4 2A
99.437.654	12	M 18 x 2.5 - 57	Flange bolt	c-4 2A
99.437.710	2		Brake drum	c-1 24A
99.437.715	2		Brake shoe	c-2 24A
99.437.716	2		Brake shoe	c-1 24A
99.437.720	4		Brake spring	c-1 24A
99.437.725	2		Adjusting bolt	c-1 24A
99.437.728	2	M 20 x 2.5	Security nut	c-1 24A
99.437.733	2	φ25 x 31	Brake key	d-2 24A
99.437.736	2		Brake arm	d-2 24A
99.437.740	2	XL CUT	Washer	d-2 24A
99.437.851	2		Ballon tyre with hub tube	c-3 7A
99.440.263	1	1/2" RG	T-piece	a-5 10A
99.440.511	1	1/2" L = 60	Nipple tube	a-5 10A
99.450.725	4	M 5	Well-nut	x <sub>d</sub> -2 25A
99.451.840	2		Pressure spring	c-2 13A
99.458.023	4	φ8	Clamp wire lock	x <sub>b</sub> -2 23A
99.458.024	1	3/16"	Clamp wire lock	d-4 16A
99.458.025	4	1/4"	Wire lock	c-3 16A
99.458.026	2	3/8"	Wire lock	d-2 22A
99.458.102	1	1/8 RG	Tube plug	c-4 27A
99.458.105	1	1/2 RG	Tube plug	a-5 10A
99.458.143	1	φ115	Grinding disc	d-2 27A
99.458.191	1		Black plastic plug	a-5 8A
99.458.296	1		Drip oiling unit	c-4 27A
99.458.297	1		Screw cap	c-4 27A
99.458.332	2		Triangle reflector	d-4 25A
99.458.445	1		Tool holder	a-4 27A
99.473.396	1		Switch	a-3 17A
99.474.330	2		Parking light	b-1 25A
99.474.335	1		Rear light, right	c-5 25A
99.474.336	1		Rear light, left	d-2 25A
99.477.136		12 V 5 W	Penol bulb	b-1 25A
99.477.137		12 V 10 W	Bulb	d-5 25A
99.477.138		12 V 21 W	Bulb	d-5 25A
99.478.183	1		2-poled male plug	a-2 17A
99.478.196	1		7-poled plug	b-4 25A
99.478.216	4		Connector	c-4 25A
99.478.226	2		Rubber lead-in	a-3 17A
99.478.236	1	φ19 mm	Lead-in	c-3 27A
99.478.301	1		Wire connection box	c-4 25A
99.478.377	1		Plastic cap, black	a-3 17A
99.478.389	12		Cable belt	x <sub>c</sub> -3 20A
99.478.390	10		Cable belt	x <sub>b</sub> -5 25A

x To be used two or more places on the machine.

# OMREKENTABEL:

BASISEENHEID:	SI-	OMREKENINGSFACTOR
LENGTE .....	1 m	= 39,4 in = 3,3 ft = 1,1 yd = 0,00062 miles (US)
OPPERVLAKTE ...	1 m <sup>2</sup>	= 1,2 yd <sup>2</sup> = 10,8 ft <sup>2</sup> = 0,00025 acre = 0,0001 ha
INHOUD .....	1 dm <sup>3</sup> (l)	= 61 in = 0,035 ft = 0,22 gallons (Imp) = 0,26 gallons (US) = 1,76 pints
SNELHEID.....	1 m/s	= 3,6 km/h = 2,24 mile/h = 3,28 ft/s = 1,94 knob
KRACHT.....	1 N	= 0,10 kp = 0,22 lbf
VERMOGEN ....	1 kW	= 1,36 pk = 1,34 hp = 102 kpm/s = 860 kcal/h = 737 ft lbf/s
MASSA (GEWICHT)	1 kg	= 2,2 lbs = 0,0197 cwt. = 0,07 slug = 35 oz
KRACHTMOMENT	1 Nm	= 0,102 kpm = 8,8 lbf in = 0,74 lbf ft
DRUK .....	1 kPa	= 0,01 atm (kp/cm <sup>2</sup> ) = 0,14 lbf/in <sup>2</sup> = 7,5 torr
Omwentelingen ..	min <sup>-1</sup>	= omw/min

Zie smeerschema voor machine

Leverancier	(H)	(L)	Smeernippels	Rollenkettingen
BP .....	Hypogear 80 WEP	Hypogear 90 EP	Energerease L 2 M	Penetrating oil
CASTROL ..	Castrol EP 80	Multitrax 80 W/140 EPX 80 W/90 EPX 85 W/140	Castrol MS 3 - Castrol APS 2	Chain grease (Kædefedt) (aerosol)
STATOIL ...	Gear oil GP 80 W EP	Gear oil GX 80 W-90	MP Grease (Moly)	Super oil for chain saw (Super kædesavsolie)
Q 8 .....	Q 8 T 35 80 W	Q 8 T 55 80 W/90	Q 8 Rembrandt Moly S 2	Q 8 Giotto/ Q 8 Wagner 220
MOBIL OIL	Mobilube HD 80 W EP	Mobilube HD 80 W-90	Mobilgrease Special	Mobilvactra No. 2
SHELL .....	Spirax MA 80 W	Spirax HD 80 W/90	Retinax A	Kuggfett
TEXACO ...	Geartex EP-A 80 W	Geartex EP-C 80W-90	Molytex 2 Molytex EP 2	Way Lubricant
OK .....	OK Gearoil GL 5 80W	OK Gearoil GL 5 80 W/90	OK Moly grease (OK Moly fedt)	OK Compound 2
HYDRO ....	Extra Gearoil SAE 80 W	Hypoid Gearoil 80W/90	Moly D Grease	Moly chain wheel grease (Moly tandhjulsfedt)

Aanhaalspanning voor bouten met normale metrische draad kwaliteit 8,8 zwart en/of gegalvaniseerd, niet ingevet, wanneer ze worden aangetrokken op een glad vlak of op een gladde ring.

Draaddiam. mm	5	6	8	10	12	14	16	20	22
Nm $\pm \frac{10\%}{0}$	6	10	26	52	90	144	225	436	594

Raadpleeg de bedieningshandleiding voor specifieke aanhaalspanningen, d.w.z. voor mesbouten, lagerbouten enz. Deze tabel geldt namelijk uitsluitend voor bouten waarvoor in de bedieningshandleiding geen aanhaalspanning wordt vermeld.